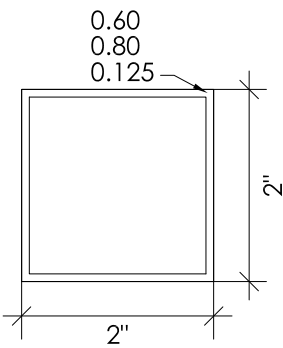


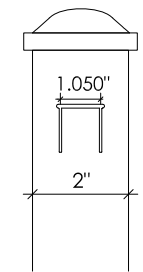
FENCE ELEVATION
SCALE: 1/2" = 1'-0"

NOTE:
1-5/8" & 2-7/8" PICKET SPACING
AVAILABLE UPON REQUEST

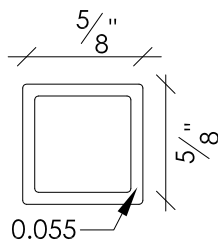
NOTE:
POST EXTENDS 1" BEYOND
TOP OF TOP RAIL



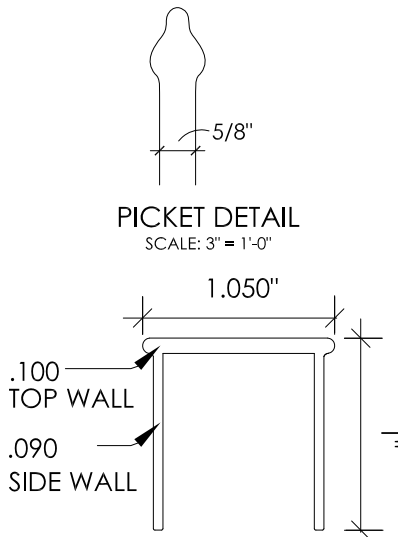
**WALL POST
TOP VIEW**
SCALE: 6" = 1'-0"



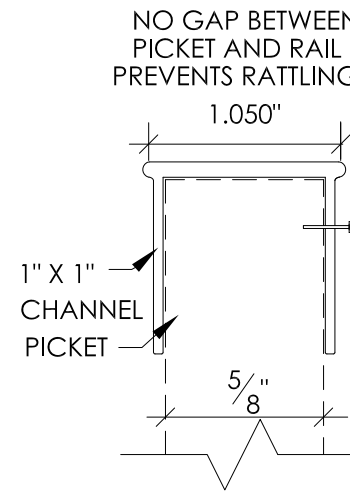
**BEFREE™
WALL POST
DETAIL**
SCALE: 3" = 1'-0"



**WALL PICKET
TOPVIEW**
SCALE: 1" = 1'-0"



RAIL DETAIL
SCALE: 1" = 1'-0"



**PICKET FASTENED
TO CHANNEL DETAIL**
SCALE: 1" = 1'-0"

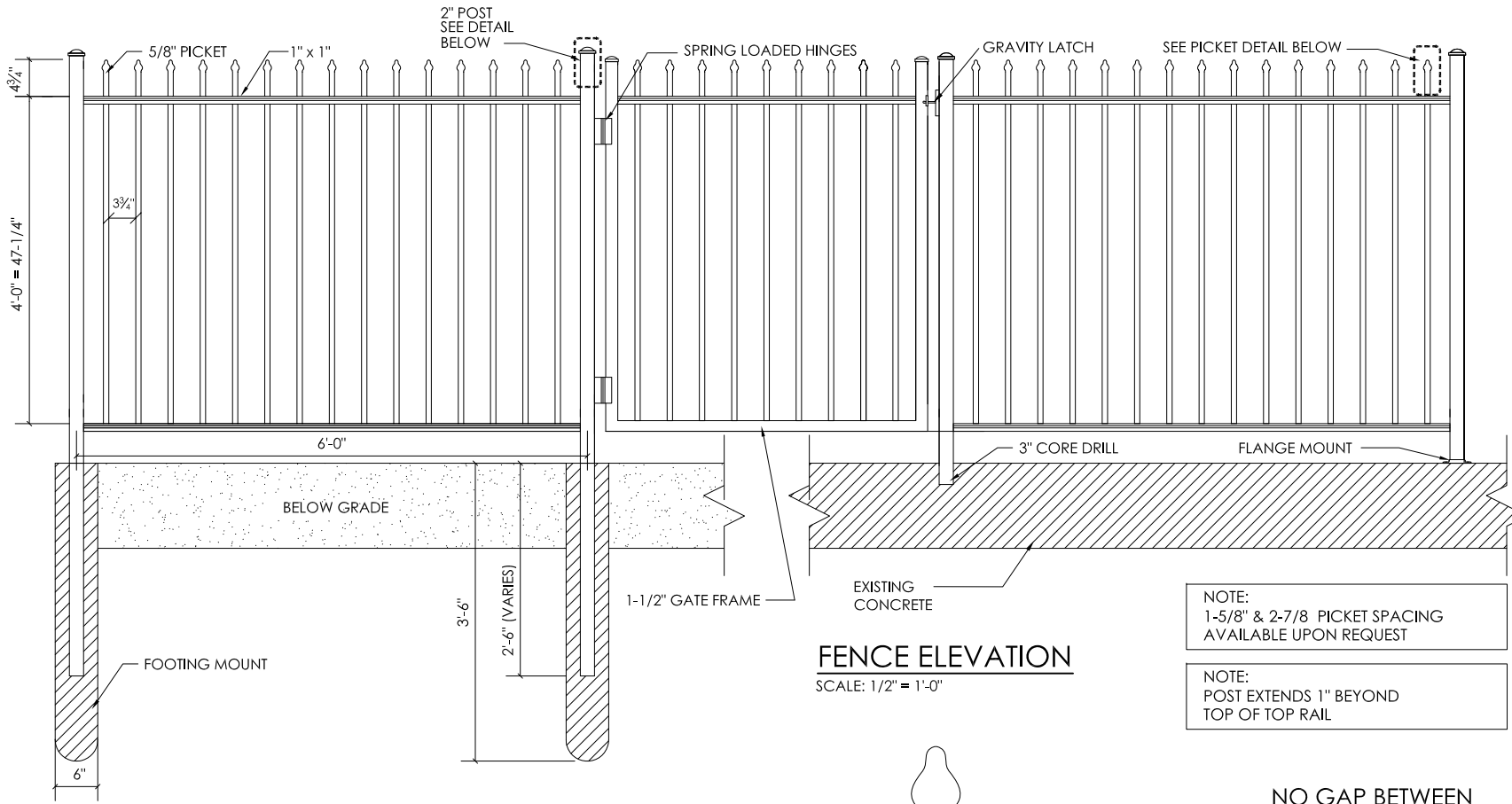


Royal Aluminum & Steel, Inc.

Manufacturers of Aluminum Fence & Rails
51401 Chesterfield Rd.
Chesterfield Twp., MI 48051
(586) 421-0057
Fax (586) 421-0081
Toll Free (800) 543-3231
www.royalfences.com

**BR-10 RESIDENTIAL FENCE
ELEVATION**

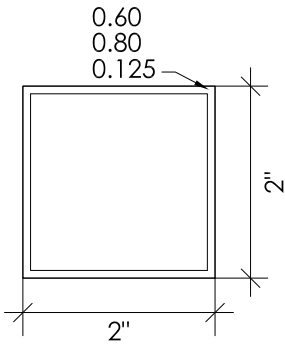
©2013 Royal Aluminum & Steel, Inc.
Befree, Royal & Castle are registered trademarks of Royal Aluminum & Steel, Inc.
Patent # 7,857,292 - Patent # 8,167,276 - Patent # USD 665,510 S and other patents pending.



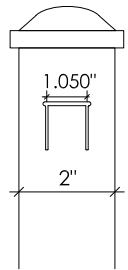
FENCE ELEVATION
SCALE: 1/2" = 1'-0"

NOTE:
1-5/8" & 2-7/8" PICKET SPACING
AVAILABLE UPON REQUEST

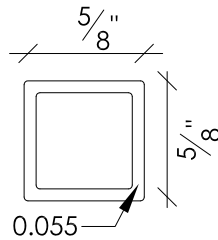
NOTE:
POST EXTENDS 1" BEYOND
TOP OF TOP RAIL



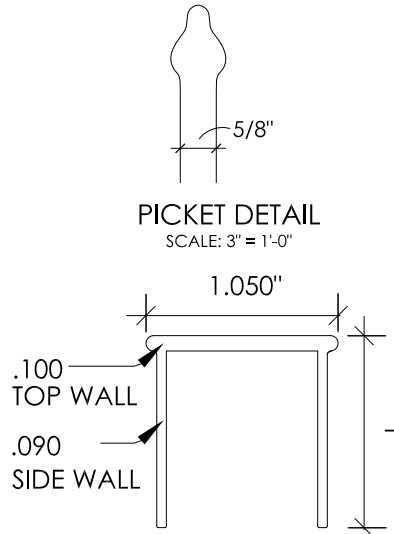
**WALL POST
TOP VIEW**
SCALE: 6" = 1'-0"



**BEFREE™
WALL POST
DETAIL**
SCALE: 3" = 1'-0"

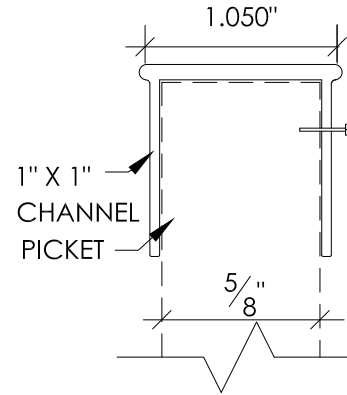


**WALL PICKET
TOPVIEW**
SCALE: 1" = 1'-0"



RAIL DETAIL
SCALE: 1" = 1'-0"

NO GAP BETWEEN
PICKET AND RAIL
PREVENTS RATTLING



**PICKET FASTENED
TO CHANNEL DETAIL**
SCALE: 1" = 1'-0"

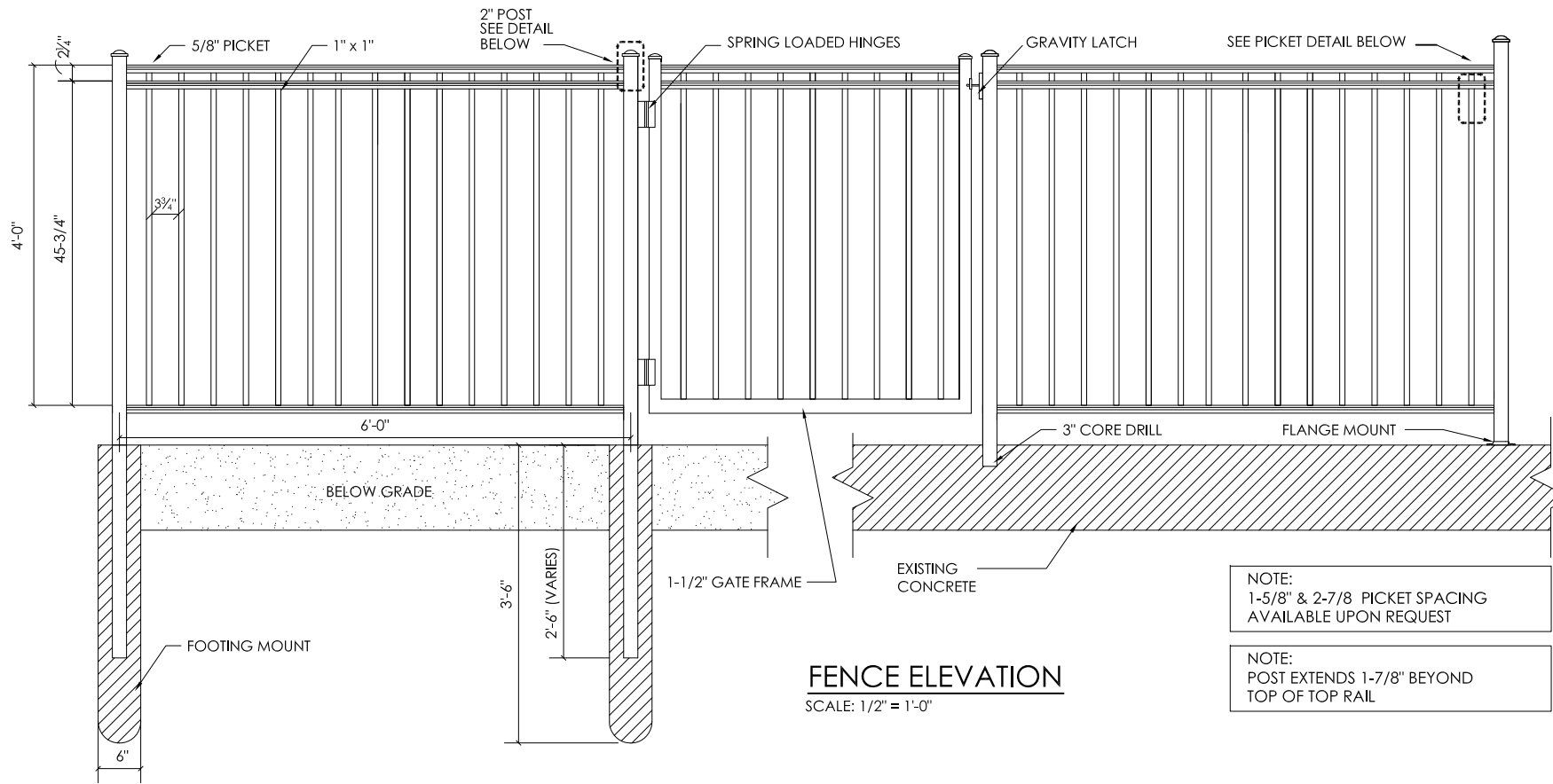


Royal Aluminum & Steel, Inc.

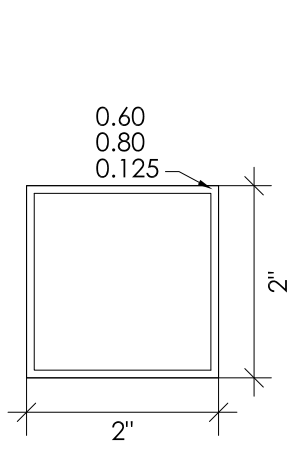
Manufacturers of Aluminum Fence & Rails
51401 Chesterfield Rd.
Chesterfield Twp., MI 48051
(586) 421-0057
Fax (586) 421-0081
Toll Free (800) 543-3231
www.royalfences.com

**BR-102 RESIDENTIAL FENCE
ELEVATION**

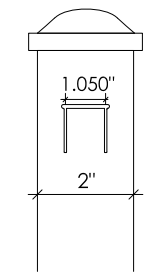
©2013 Royal Aluminum & Steel, Inc.
Befree, Royal & Castile are registered trademarks of Royal Aluminum & Steel, Inc.
Patent # 7,857,292 - Patent # 8,167,276 - Patent # USD 665,510 S and other patents pending.



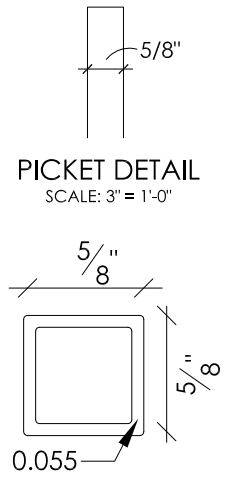
FENCE ELEVATION
SCALE: 1/2" = 1'-0"



WALL POST TOP VIEW
SCALE: 6" = 1'-0"

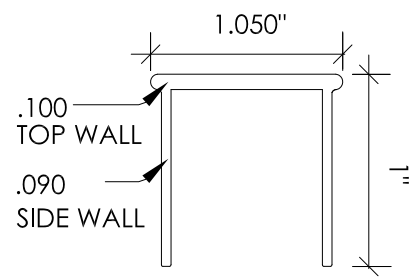


BEFREE™ WALL POST DETAIL
SCALE: 3" = 1'-0"

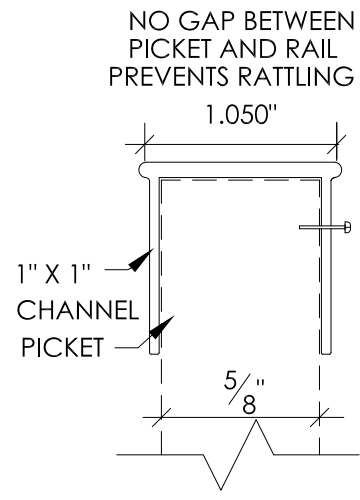


PICKET DETAIL
SCALE: 3" = 1'-0"

WALL PICKET TOPVIEW
SCALE: 1" = 1'-0"



RAIL DETAIL
SCALE: 1" = 1'-0"



PICKET FASTENED TO CHANNEL DETAIL
SCALE: 1" = 1'-0"

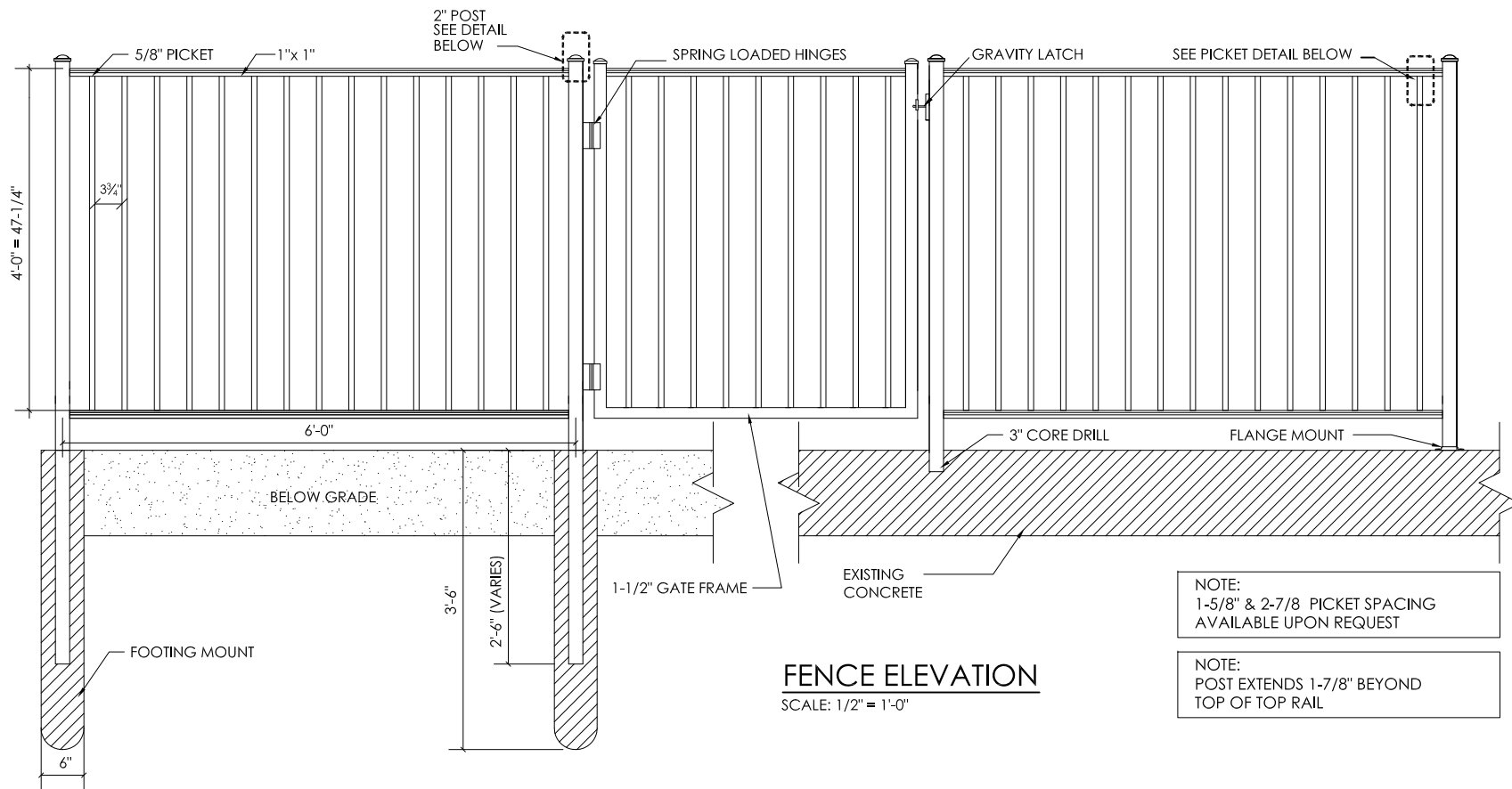


Royal Aluminum & Steel, Inc.

Manufacturers of Aluminum Fence & Rails
51401 Chesterfield Rd.
Chesterfield Twp., MI 48051
(586) 421-0057
Fax (586) 421-0081
Toll Free (800) 543-3231
www.royalfences.com

BR-20 RESIDENTIAL FENCE ELEVATION

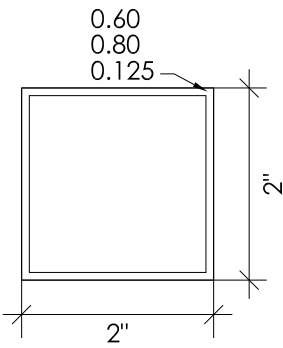
©2013 Royal Aluminum & Steel, Inc.
Befree, Royal & Castle are registered trademarks of Royal Aluminum & Steel, Inc.
Patent # 7,857,292 - Patent # 8,167,276 - Patent # USD 665,510 S and other patents pending.



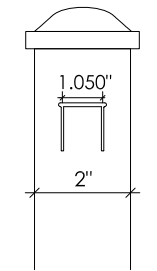
FENCE ELEVATION
SCALE: 1/2" = 1'-0"

NOTE:
1-5/8" & 2-7/8" PICKET SPACING
AVAILABLE UPON REQUEST

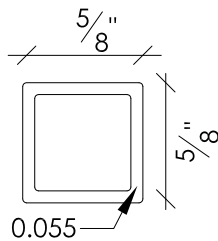
NOTE:
POST EXTENDS 1-7/8" BEYOND
TOP OF TOP RAIL



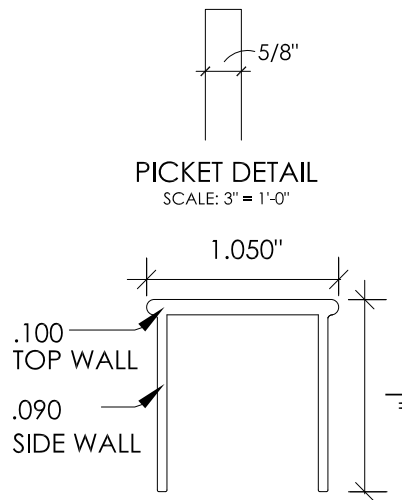
**WALL POST
TOP VIEW**
SCALE: 6" = 1'-0"



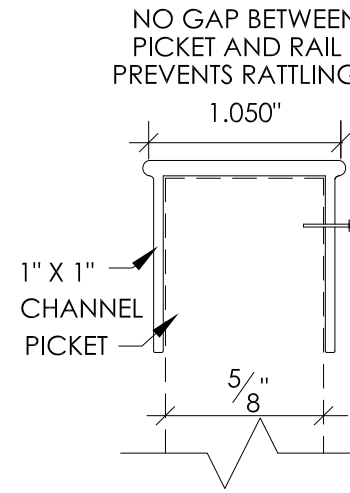
**BEFREE™
WALL POST
DETAIL**
SCALE: 3" = 1'-0"



**WALL PICKET
TOPVIEW**
SCALE: 1' = 1'-0"



RAIL DETAIL
SCALE: 1' = 1'-0"



**PICKET FASTENED
TO CHANNEL DETAIL**
SCALE: 1' = 1'-0"

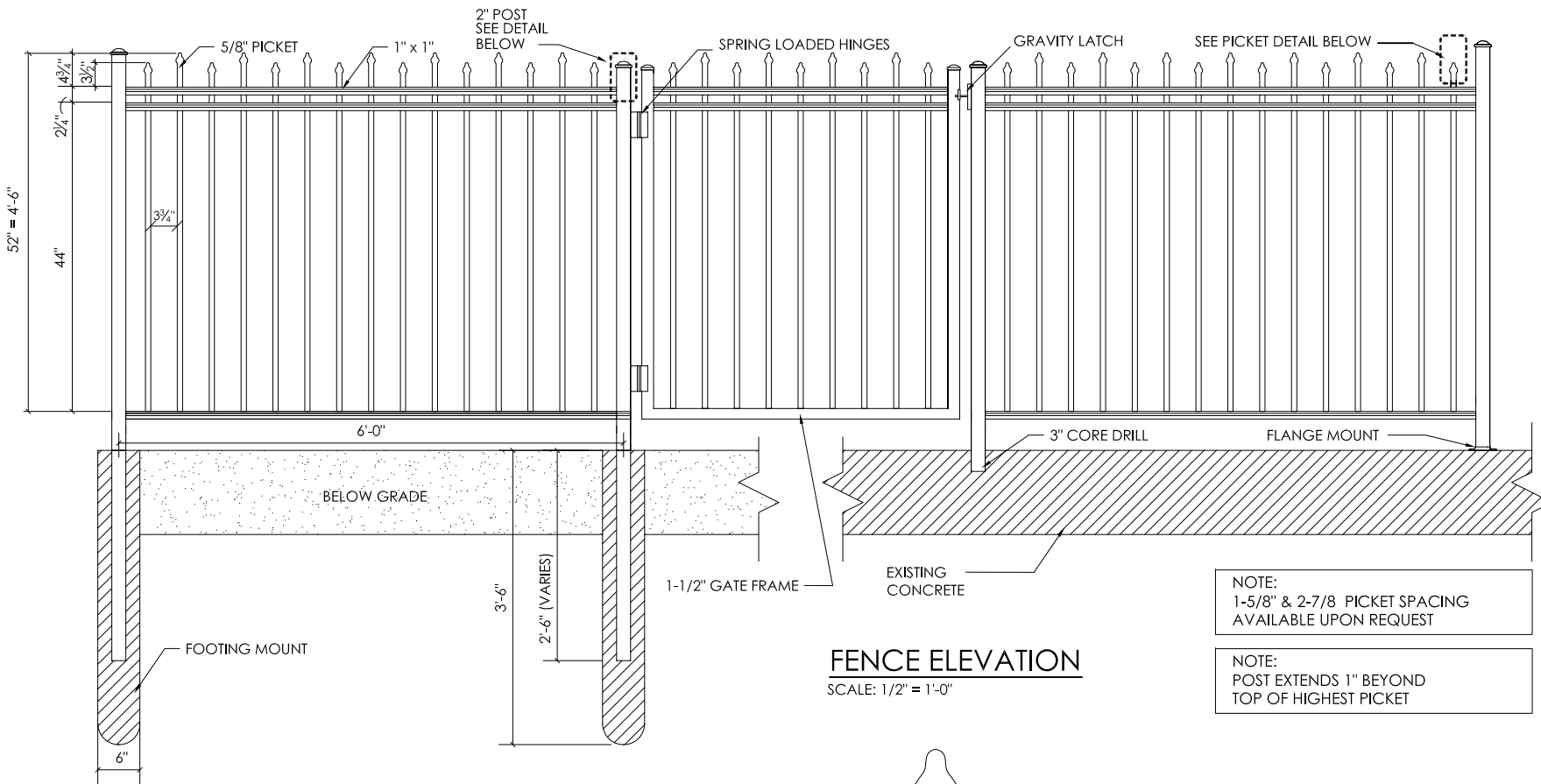


Royal Aluminum & Steel, Inc.

Manufacturers of Aluminum Fence & Rails
51401 Chesterfield Rd.
Chesterfield Twp., MI 48051
(586) 421-0057
Fax (586) 421-0081
Toll Free (800) 543-3231
www.royalfences.com

**BR-202 RESIDENTIAL FENCE
ELEVATION**

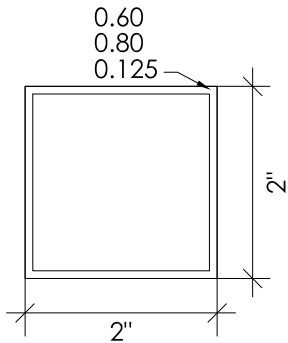
©2013 Royal Aluminum & Steel, Inc.
Befree, Royal & Castle are registered trademarks of Royal Aluminum & Steel, Inc.
Patent # 7,857,292 - Patent # 8,167,276 - Patent # USD 665,510 S and other patents pending.



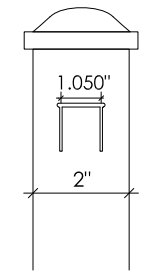
FENCE ELEVATION
SCALE: 1/2" = 1'-0"

NOTE:
1-5/8" & 2-7/8" PICKET SPACING
AVAILABLE UPON REQUEST

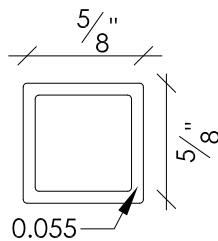
NOTE:
POST EXTENDS 1" BEYOND
TOP OF HIGHEST PICKET



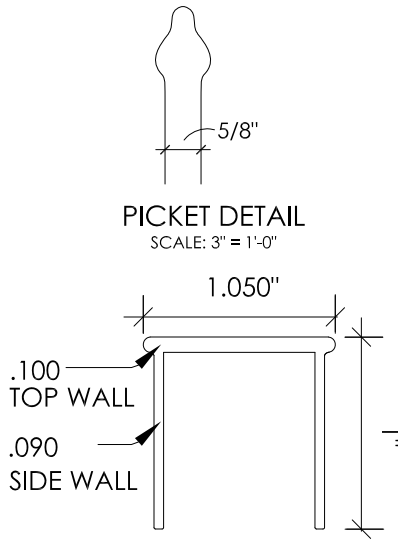
**WALL POST
TOP VIEW**
SCALE: 6" = 1'-0"



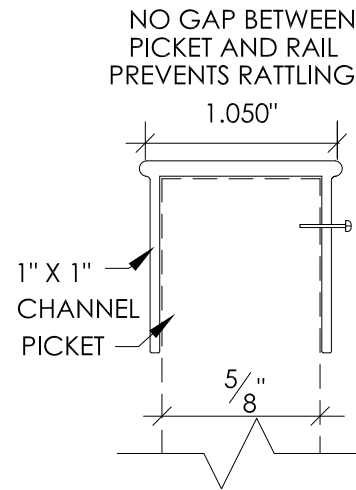
**BEFREE™
WALL POST
DETAIL**
SCALE: 3" = 1'-0"



**WALL PICKET
TOPVIEW**
SCALE: 1" = 1'-0"



RAIL DETAIL
SCALE: 1" = 1'-0"



**PICKET FASTENED
TO CHANNEL DETAIL**
SCALE: 1" = 1'-0"



Royal Aluminum & Steel, Inc.

Manufacturers of Aluminum Fence & Rails

51401 Chesterfield Rd.

Chesterfield Twp., MI 48051

(586) 421-0057

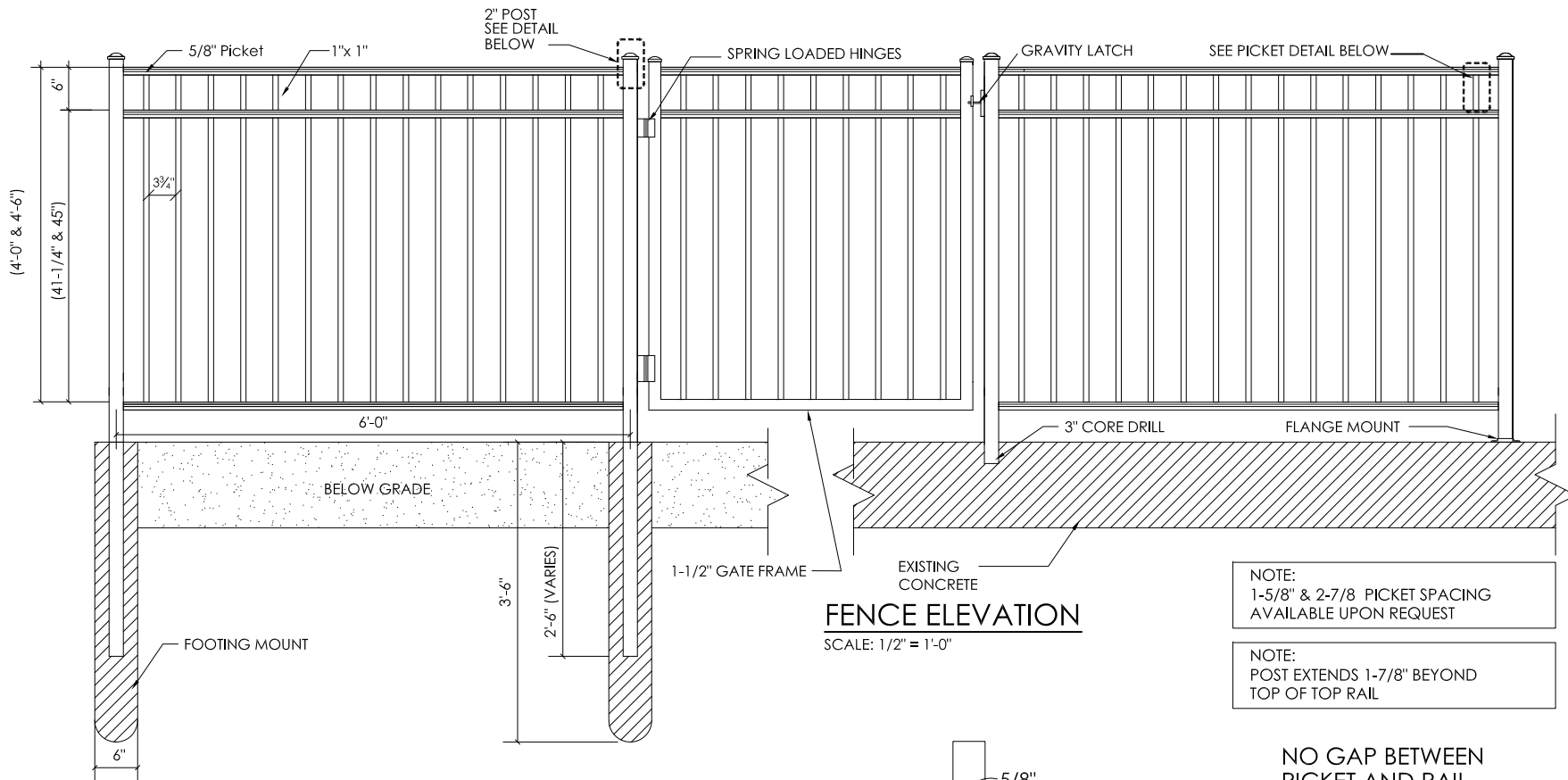
Fax (586) 421-0081

Toll Free (800) 543-3231

www.royalfences.com

BR-30 RESIDENTIAL FENCE ELEVATION

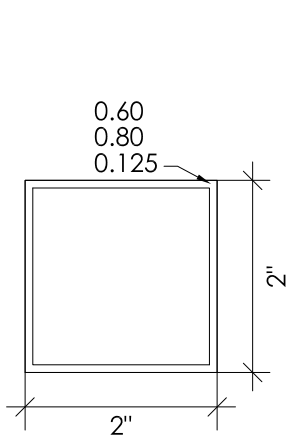
©2013 Royal Aluminum & Steel, Inc.
Befree, Royal & Castle are registered trademarks of Royal Aluminum & Steel, Inc.
Patent # 7,857,292 - Patent # 8,167,276 - Patent # USD 665,510 S and other patents pending.



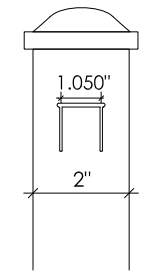
FENCE ELEVATION
SCALE: 1/2" = 1'-0"

NOTE:
1-5/8" & 2-7/8" PICKET SPACING
AVAILABLE UPON REQUEST

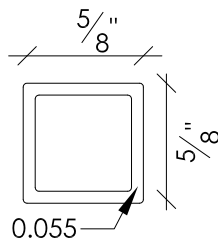
NOTE:
POST EXTENDS 1-7/8" BEYOND
TOP OF TOP RAIL



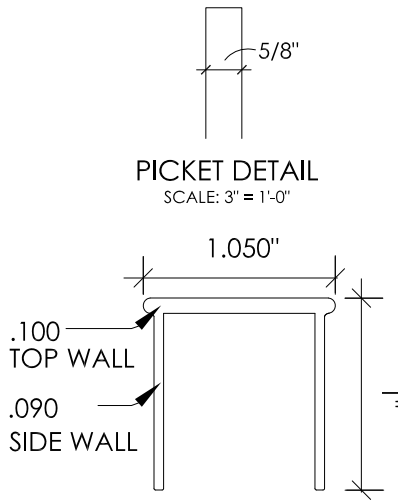
**WALL POST
TOP VIEW**
SCALE: 6" = 1'-0"



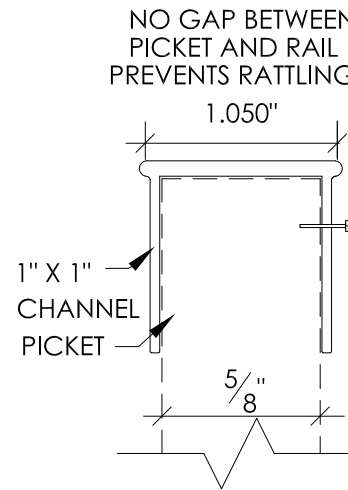
**BEFREE™
WALL POST
DETAIL**
SCALE: 3" = 1'-0"



**WALL PICKET
TOPVIEW**
SCALE: 1' = 1'-0"



RAIL DETAIL
SCALE: 1' = 1'-0"



**PICKET FASTENED
TO CHANNEL DETAIL**
SCALE: 1' = 1'-0"

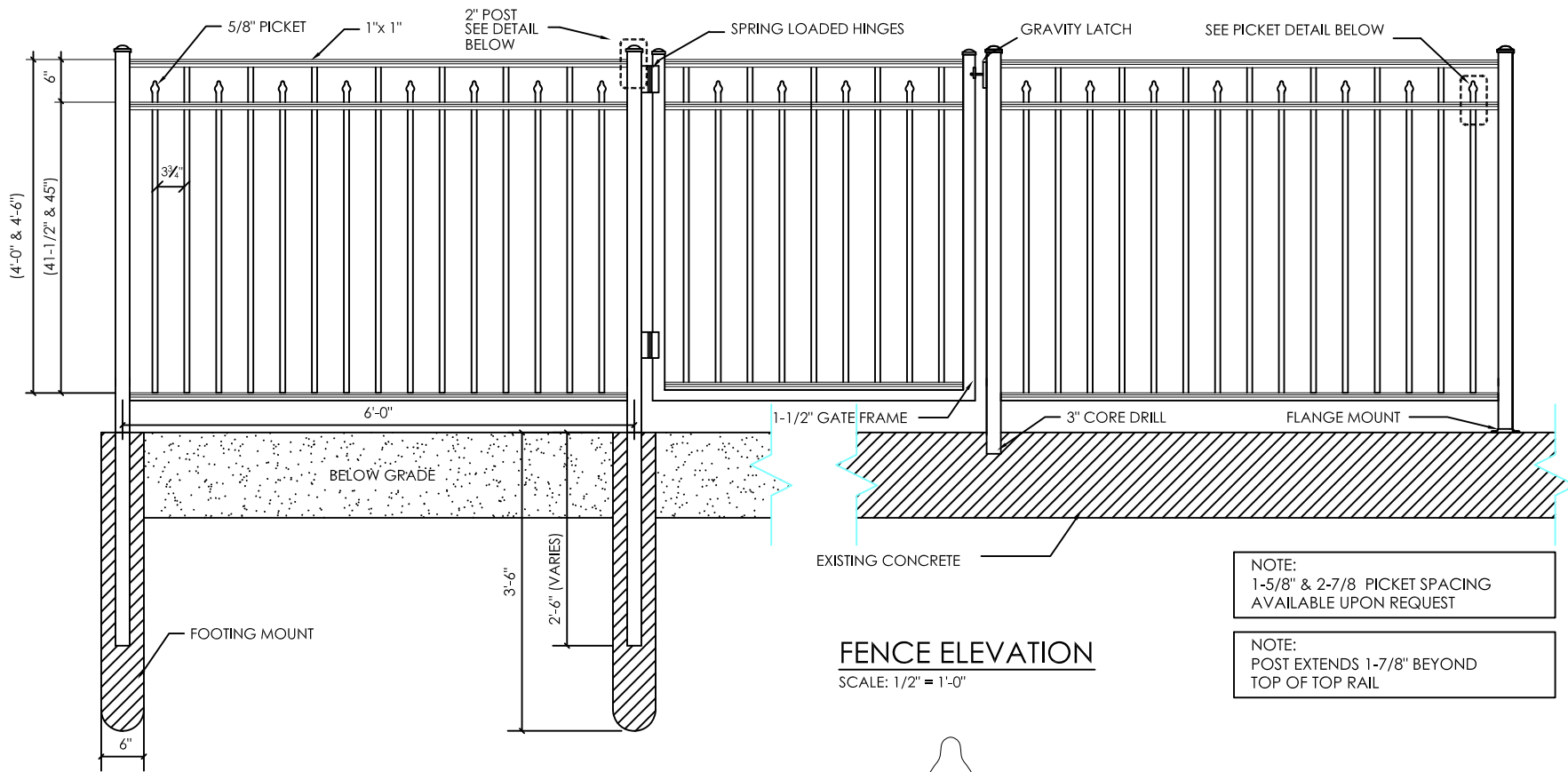


Royal Aluminum & Steel, Inc.

Manufacturers of Aluminum Fence & Rails
51401 Chesterfield Rd.
Chesterfield Twp., MI 48051
(586) 421-0057
Toll Free (800) 543-3231
www.royalfences.com

**MR-20 RESIDENTIAL FENCE
ELEVATION**

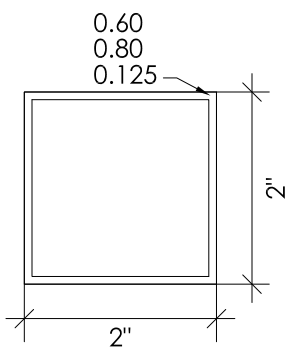
©2013 Royal Aluminum & Steel, Inc.
Befree, Royal & Castle are registered trademarks of Royal Aluminum & Steel, Inc.
Patent # 7,857,292 - Patent # 8,167,276 - Patent # USD 665,510 S and other patents pending.



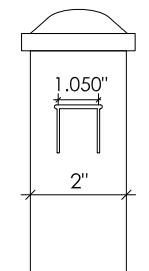
NOTE:
1-5/8" & 2-7/8" PICKET SPACING
AVAILABLE UPON REQUEST

NOTE:
POST EXTENDS 1-7/8" BEYOND
TOP OF TOP RAIL

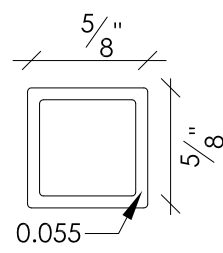
FENCE ELEVATION
SCALE: 1/2" = 1'-0"



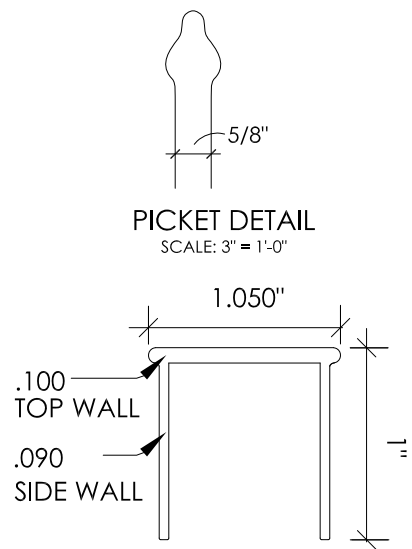
**WALL POST
TOP VIEW**
SCALE: 6" = 1'-0"



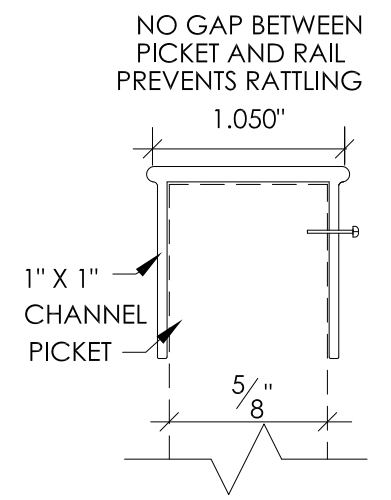
**BEFREE™
WALL POST
DETAIL**
SCALE: 3" = 1'-0"



**WALL PICKET
TOPVIEW**
SCALE: 1" = 1'-0"



RAIL DETAIL
SCALE: 1" = 1'-0"



**PICKET FASTENED
TO CHANNEL DETAIL**
SCALE: 1" = 1'-0"

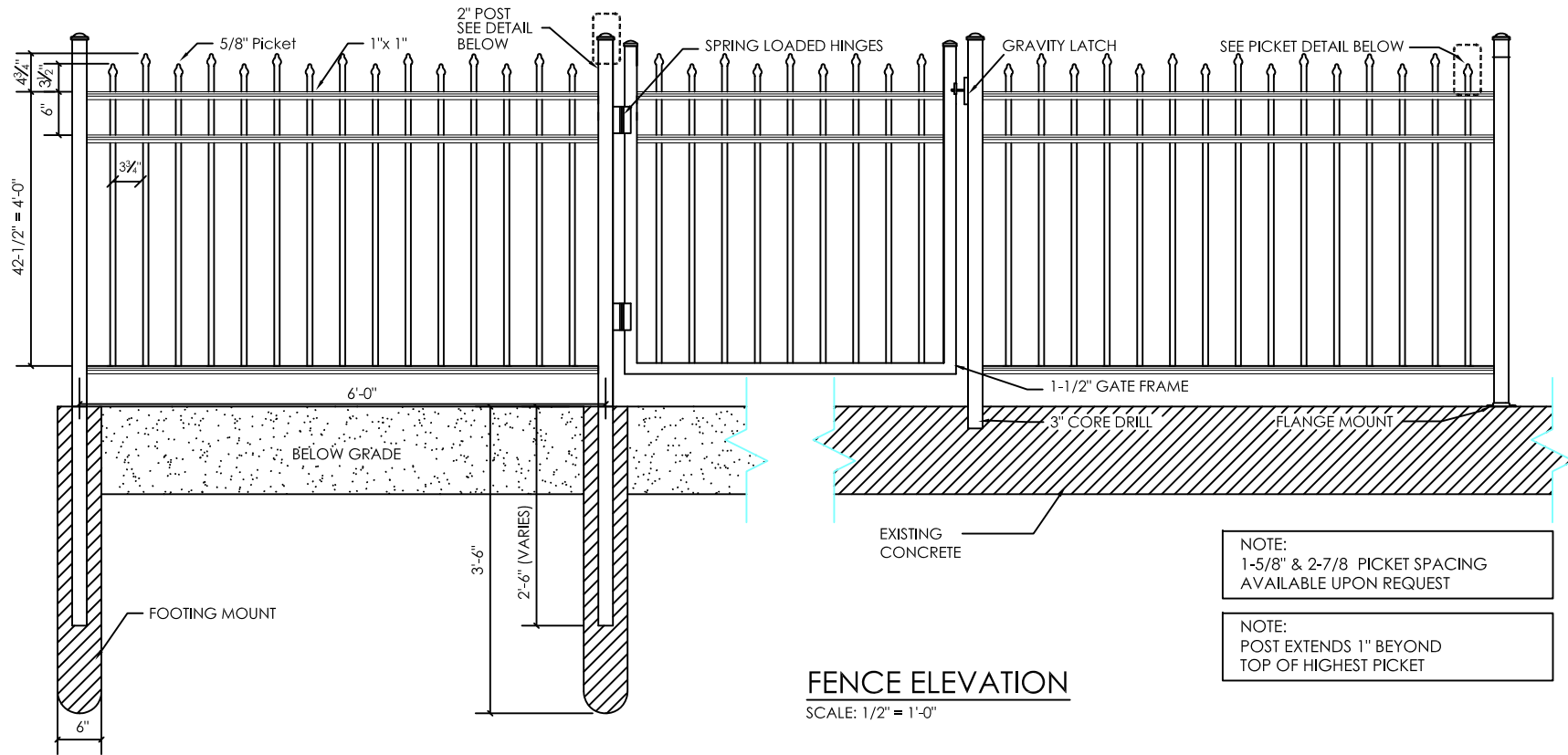


Royal Aluminum & Steel, Inc.

Manufacturers of Aluminum Fence & Rails
51401 Chesterfield Rd.
Chesterfield Twp., MI 48051
(586) 421-0057
Toll Free (800) 543-3231
www.royalfences.com

**MR-25 RESIDENTIAL FENCE
ELEVATION**

©2013 Royal Aluminum & Steel, Inc.
Befree, Royal & Castle are registered trademarks of Royal Aluminum & Steel, Inc.
Patent # 7,857,292 - Patent # 8,167,276 - Patent # USD 665,510 S and other patents pending.



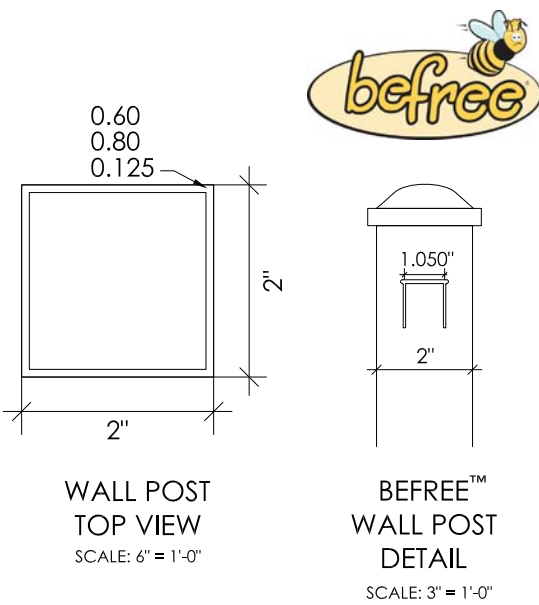
FENCE ELEVATION
SCALE: 1/2" = 1'-0"

NOTE:
1-5/8" & 2-7/8" PICKET SPACING
AVAILABLE UPON REQUEST

NOTE:
POST EXTENDS 1" BEYOND
TOP OF HIGHEST PICKET

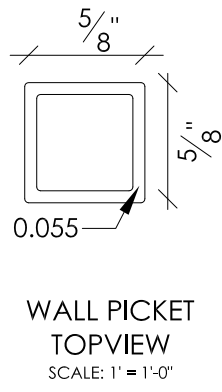
Royal Aluminum & Steel, Inc.

Manufacturers of Aluminum Fence & Rails
51401 Chesterfield Rd.
Chesterfield Twp., MI 48051
(586) 421-0057
Fax (586) 421-0081
Toll Free (800) 543-3231
www.royalfences.com

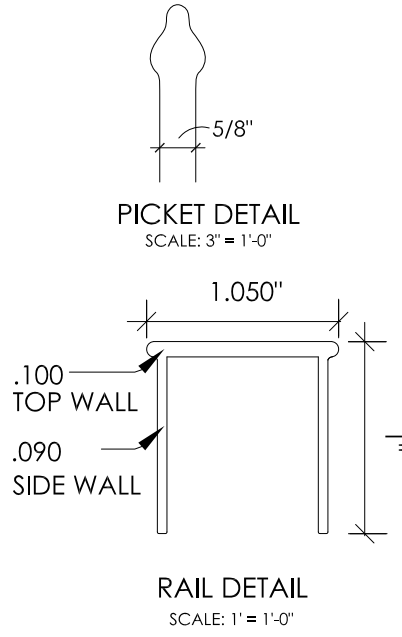


WALL POST TOP VIEW
SCALE: 6" = 1'-0"

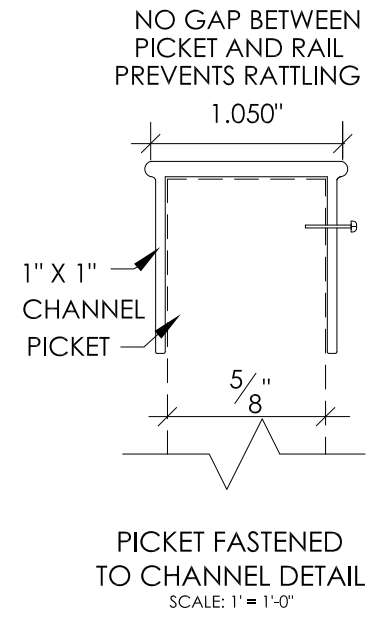
BEFREE™ WALL POST DETAIL
SCALE: 3" = 1'-0"



WALL PICKET TOPVIEW
SCALE: 1" = 1'-0"



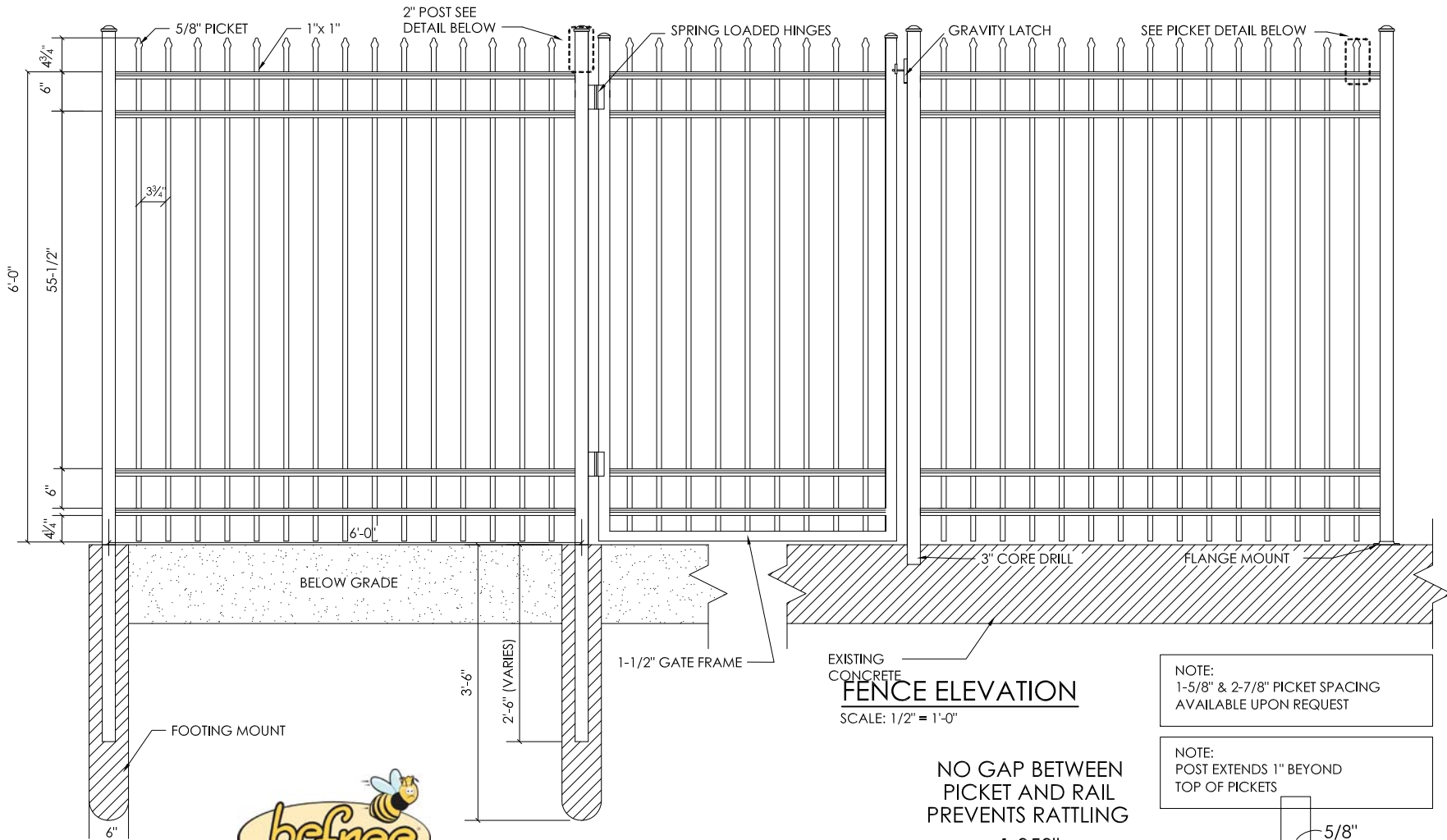
RAIL DETAIL
SCALE: 1" = 1'-0"



PICKET FASTENED TO CHANNEL DETAIL
SCALE: 1" = 1'-0"

MR-30 RESIDENTIAL FENCE ELEVATION

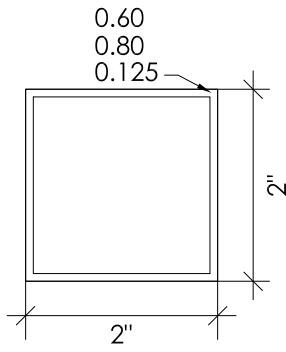
©2013 Royal Aluminum & Steel, Inc.
Befree, Royal & Castle are registered trademarks of Royal Aluminum & Steel, Inc.
Patent # 7,857,292 - Patent # 8,167,276 - Patent # USD 665,510 S and other patents pending.



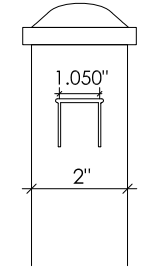
FENCE ELEVATION
SCALE: 1/2" = 1'-0"

NOTE:
1-5/8" & 2-7/8" PICKET SPACING
AVAILABLE UPON REQUEST

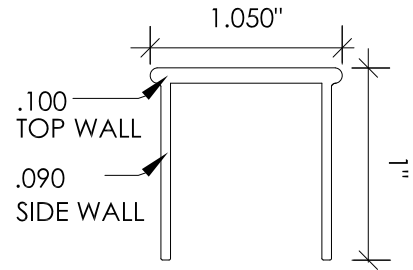
NOTE:
POST EXTENDS 1" BEYOND
TOP OF PICKETS



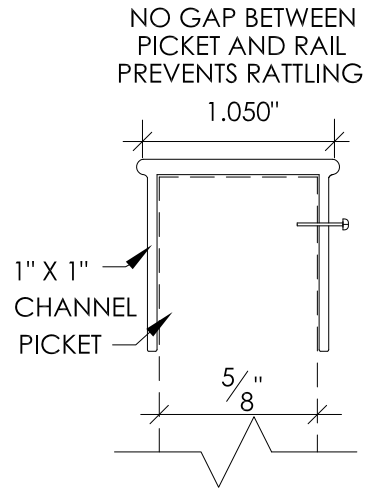
WALL POST TOP VIEW
SCALE: 6" = 1'-0"



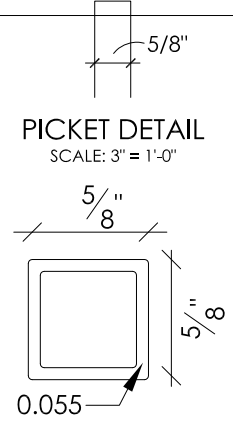
WALL POST DETAIL
SCALE: 3" = 1'-0"



RAIL DETAIL
SCALE: 1" = 1'-0"



PICKET FASTENED TO CHANNEL DETAIL
SCALE: 1" = 1'-0"



WALL PICKET TOPVIEW
SCALE: 1" = 1'-0"

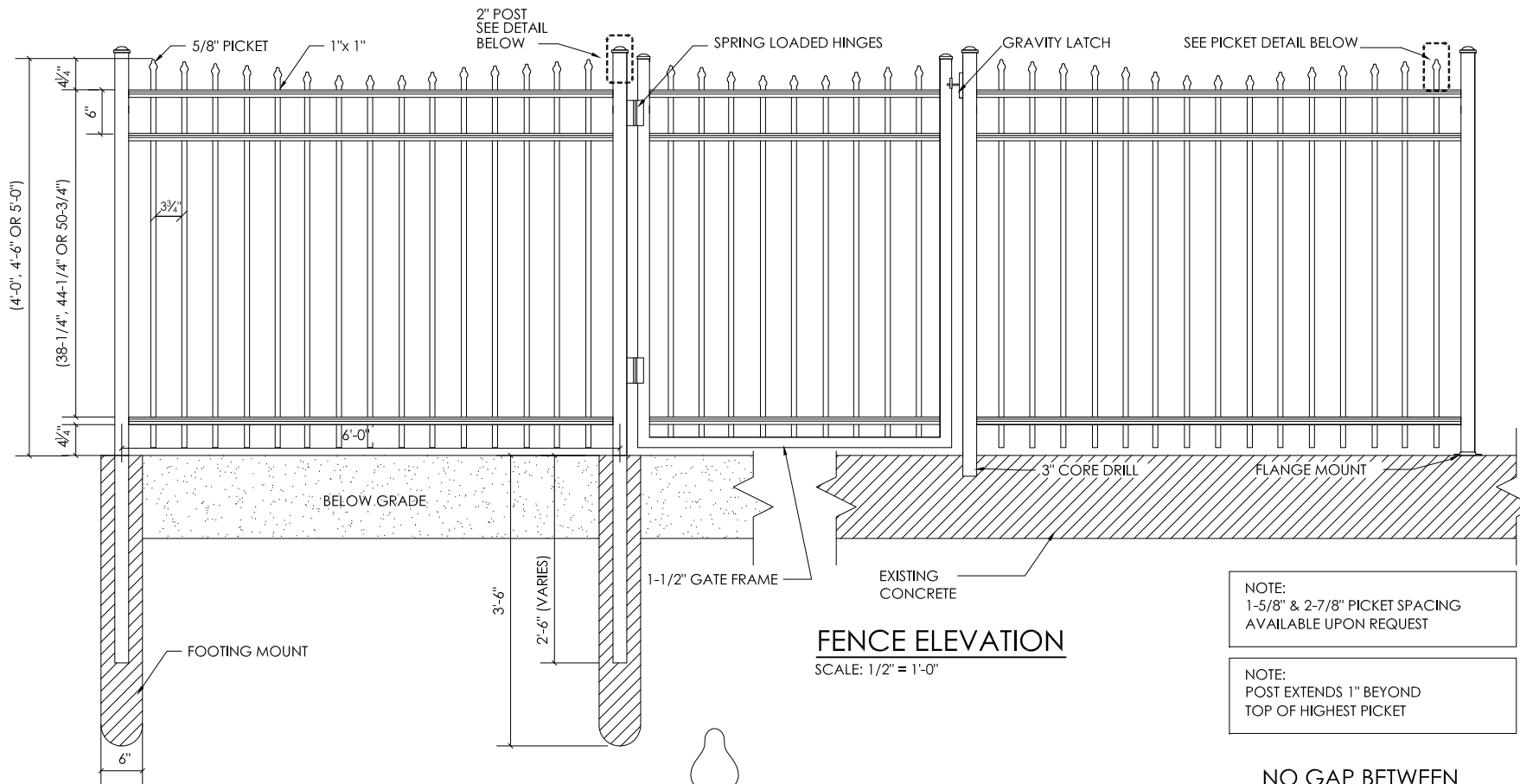


Royal Aluminum & Steel, Inc.

Manufacturers of Aluminum Fence & Rails
51401 Chesterfield Rd.
Chesterfield Twp., MI 48051
(586) 421-0057
Fax (586) 421-0081
Toll Free (800) 543-3231
www.royalfences.com

**R-10 RESIDENTIAL - 6'-0" ONLY
FENCE ELEVATION**

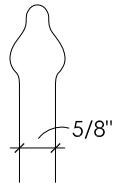
©2013 Royal Aluminum & Steel, Inc.
Befree, Royal & Castle are registered trademarks of Royal Aluminum & Steel, Inc.
Patent # 7,857,292 - Patent # 8,167,276 - Patent # USD 665,510 S and other patents pending.



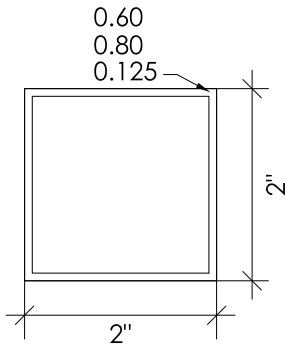
FENCE ELEVATION
SCALE: 1/2" = 1'-0"

NOTE:
1-5/8" & 2-7/8" PICKET SPACING
AVAILABLE UPON REQUEST

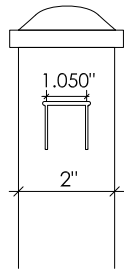
NOTE:
POST EXTENDS 1" BEYOND
TOP OF HIGHEST PICKET



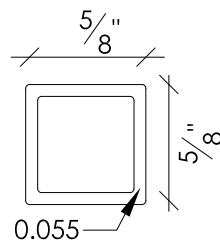
PICKET DETAIL
SCALE: 3" = 1'-0"



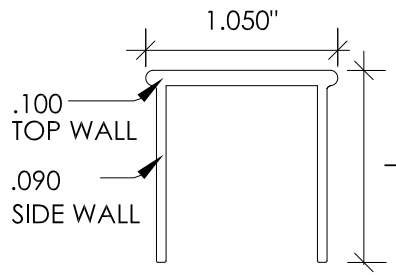
**WALL POST
TOP VIEW**
SCALE: 6" = 1'-0"



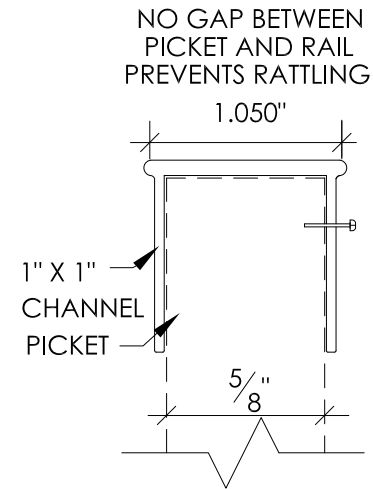
**BEFREE™
WALL POST
DETAIL**
SCALE: 3" = 1'-0"



**WALL PICKET
TOPVIEW**
SCALE: 1" = 1'-0"



RAIL DETAIL
SCALE: 1" = 1'-0"



**PICKET FASTENED
TO CHANNEL DETAIL**
SCALE: 1" = 1'-0"

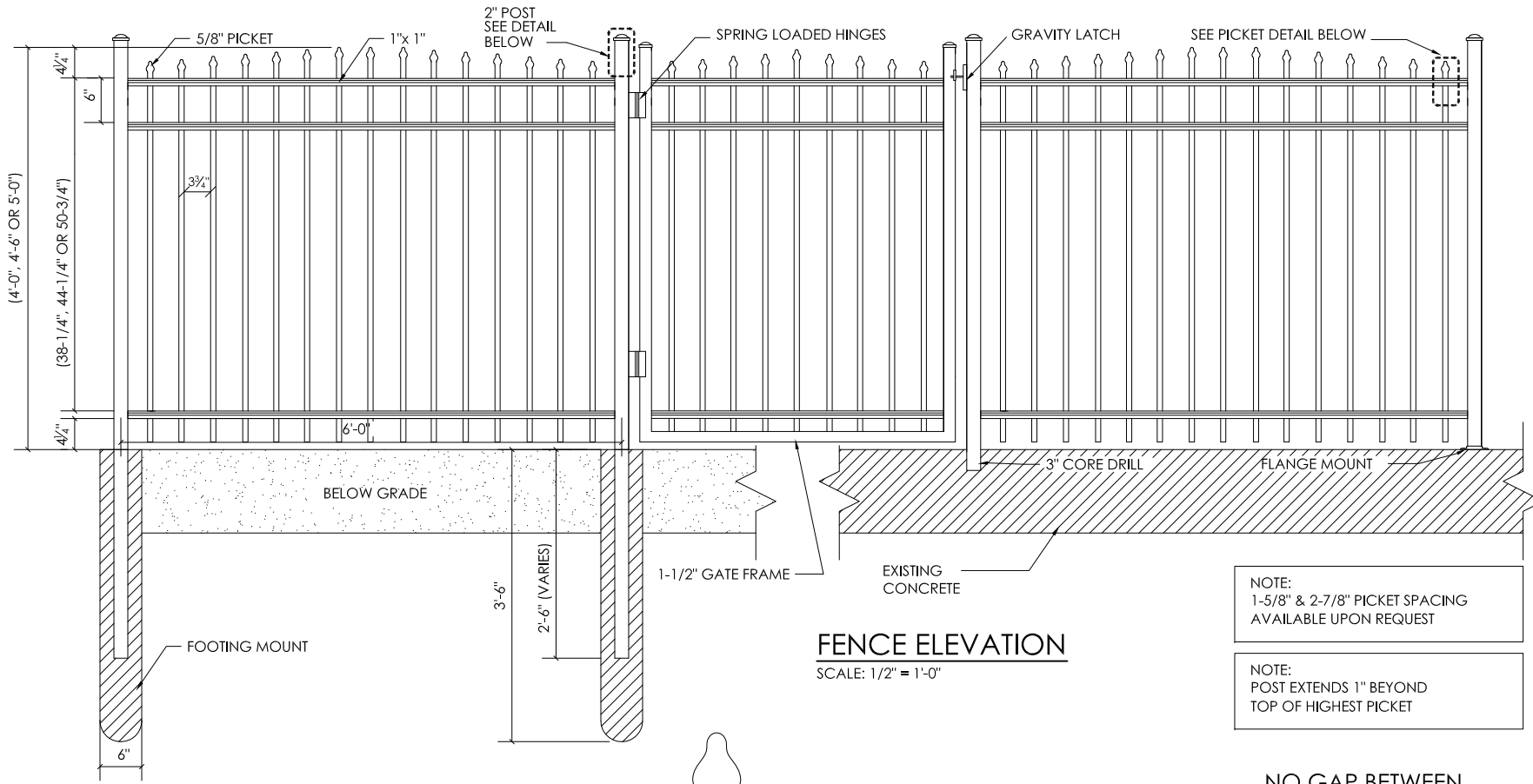


Royal Aluminum & Steel, Inc.

Manufacturers of Aluminum Fence & Rails
 51401 Chesterfield Rd.
 Chesterfield Twp., MI 48051
 (586) 421-0057
 Fax (586) 421-0081
 Toll Free (800) 543-3231
 www.royalfences.com

**R-10 CONCAVE
RESIDENTIAL FENCE ELEVATION**

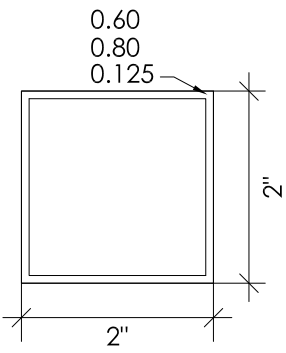
©2013 Royal Aluminum & Steel, Inc.
 Befree, Royal & Castle are registered trademarks of Royal Aluminum & Steel, Inc.
 Patent # 7,857,292 - Patent # 8,167,276 - Patent # USD 665,510 S and other patents pending.



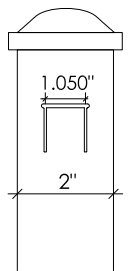
FENCE ELEVATION
SCALE: 1/2" = 1'-0"

NOTE:
1-5/8" & 2-7/8" PICKET SPACING
AVAILABLE UPON REQUEST

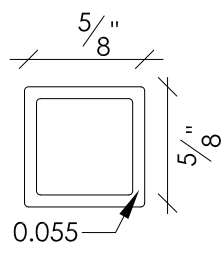
NOTE:
POST EXTENDS 1" BEYOND
TOP OF HIGHEST PICKET



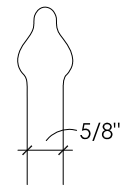
WALL POST
TOP VIEW
SCALE: 6" = 1'-0"



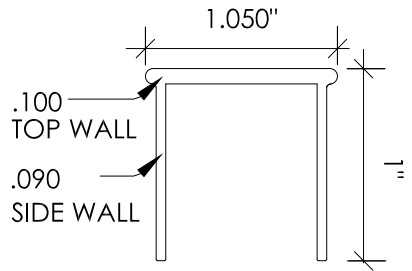
BEFREE™
WALL POST
DETAIL
SCALE: 3" = 1'-0"



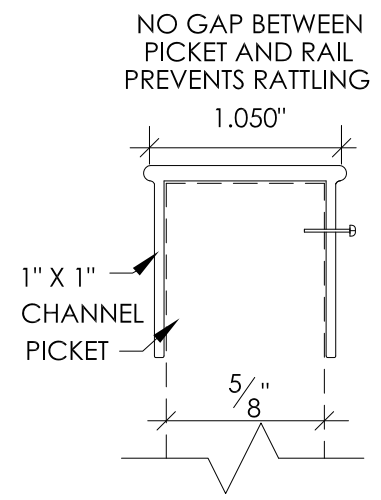
WALL PICKET
TOPVIEW
SCALE: 1" = 1'-0"



PICKET DETAIL
SCALE: 3" = 1'-0"



RAIL DETAIL
SCALE: 1" = 1'-0"



PICKET FASTENED
TO CHANNEL DETAIL
SCALE: 1" = 1'-0"

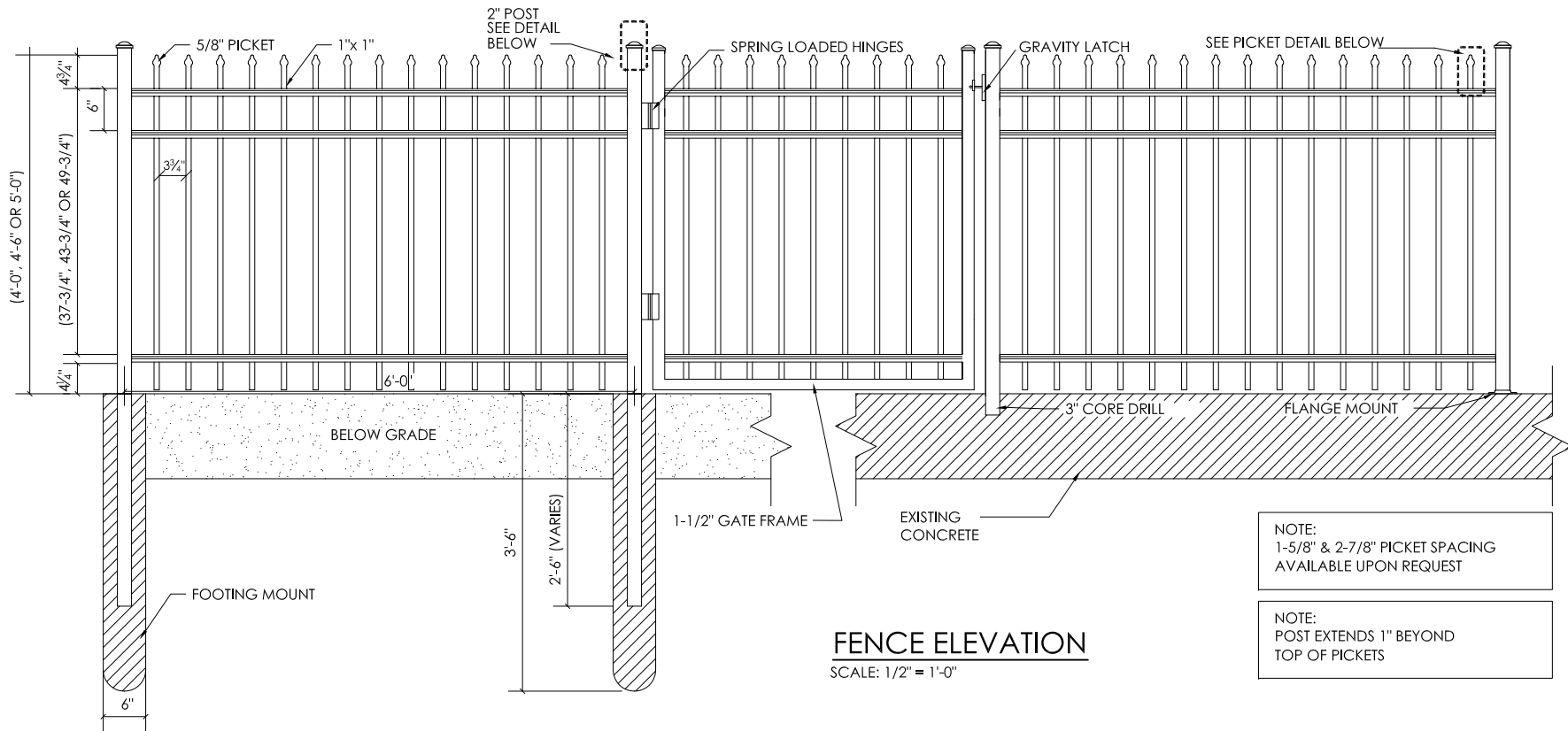


Royal Aluminum & Steel, Inc.

Manufacturers of Aluminum Fence & Rails
 51401 Chesterfield Rd.
 Chesterfield Twp., MI 48051
 (586) 421-0057
 Fax (586) 421-0081
 Toll Free (800) 543-3231
 www.royalfences.com

**R-10 CONVEX
RESIDENTIAL FENCE ELEVATION**

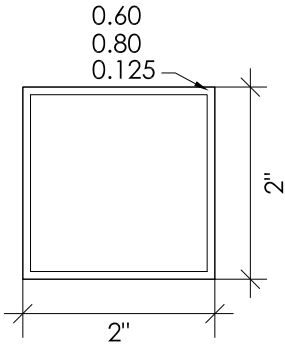
©2013 Royal Aluminum & Steel, Inc.
 Befree, Royal & Casite are registered trademarks of Royal Aluminum & Steel, Inc.
 Patent # 7,857,292 - Patent # 8,167,276 - Patent # USD 665,510 S and other patents pending.



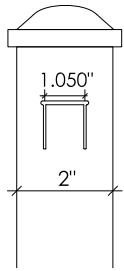
FENCE ELEVATION
SCALE: 1/2" = 1'-0"

NOTE:
1-5/8" & 2-7/8" PICKET SPACING
AVAILABLE UPON REQUEST

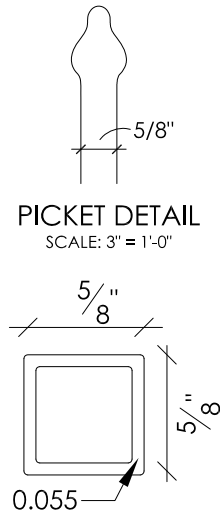
NOTE:
POST EXTENDS 1" BEYOND
TOP OF PICKETS



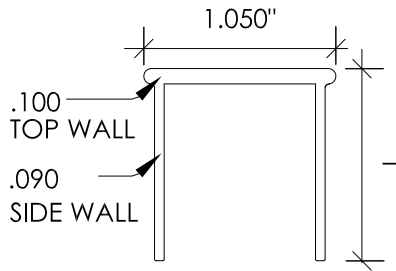
**WALL POST
TOP VIEW**
SCALE: 6" = 1'-0"



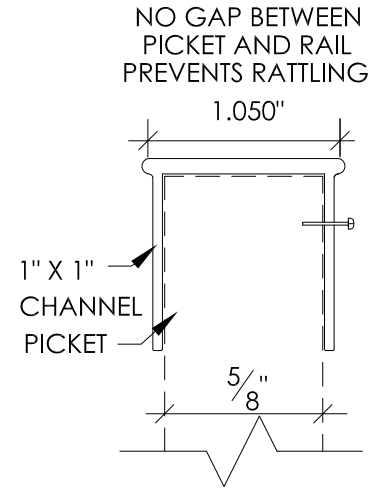
**BEFREE™
WALL POST
DETAIL**
SCALE: 3" = 1'-0"



**WALL PICKET
TOPVIEW**
SCALE: 1' = 1'-0"



RAIL DETAIL
SCALE: 1' = 1'-0"



**PICKET FASTENED
TO CHANNEL DETAIL**
SCALE: 1' = 1'-0"

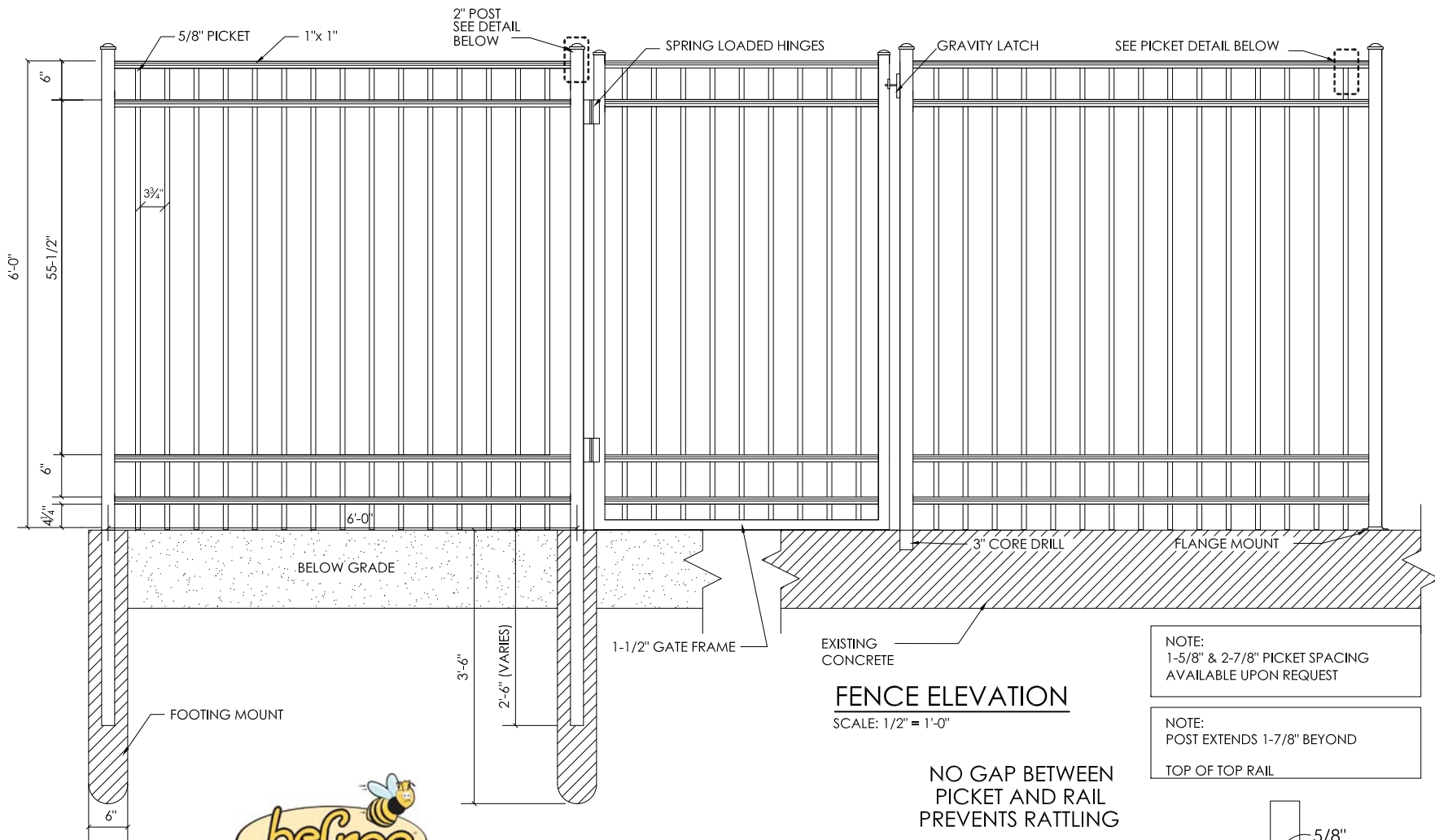


Royal Aluminum & Steel, Inc.

Manufacturers of Aluminum Fence & Rails
51401 Chesterfield Rd.
Chesterfield Twp., MI 48051
(586) 421-0057
Fax (586) 421-0081
Toll Free (800) 543-3231
www.royalfences.com

**R-10 RESIDENTIAL FENCE
ELEVATION**

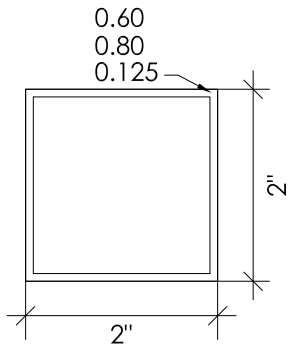
©2013 Royal Aluminum & Steel, Inc.
Befree, Royal & Casile are registered trademarks of Royal Aluminum & Steel, Inc.
Patent # 7,857,292 - Patent # 8,167,276 - Patent # USD 665,510 S and other patents pending.



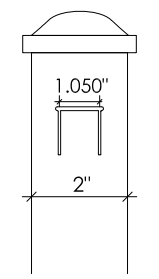
FENCE ELEVATION
SCALE: 1/2" = 1'-0"

NOTE:
1-5/8" & 2-7/8" PICKET SPACING
AVAILABLE UPON REQUEST

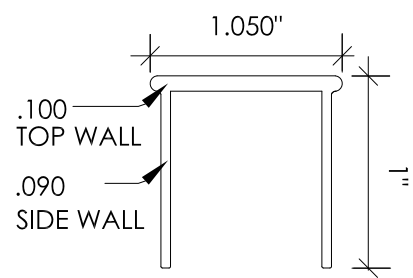
NOTE:
POST EXTENDS 1-7/8" BEYOND
TOP OF TOP RAIL



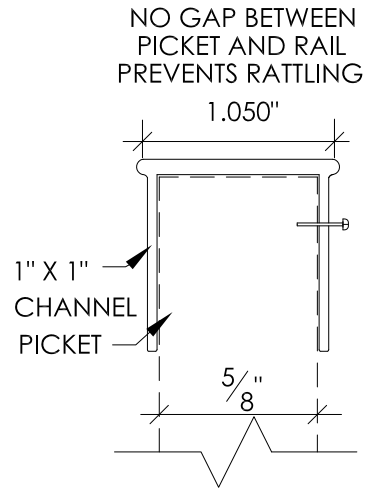
WALL POST
TOP VIEW
SCALE: 6" = 1'-0"



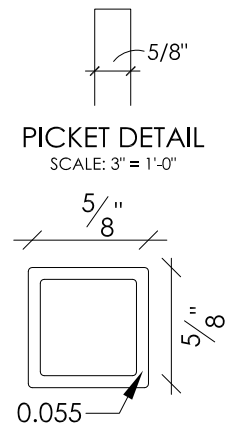
BEFREE™
WALL POST
DETAIL
SCALE: 3" = 1'-0"



RAIL DETAIL
SCALE: 1" = 1'-0"



PICKET FASTENED
TO CHANNEL DETAIL
SCALE: 1" = 1'-0"



WALL PICKET
TOPVIEW
SCALE: 1" = 1'-0"

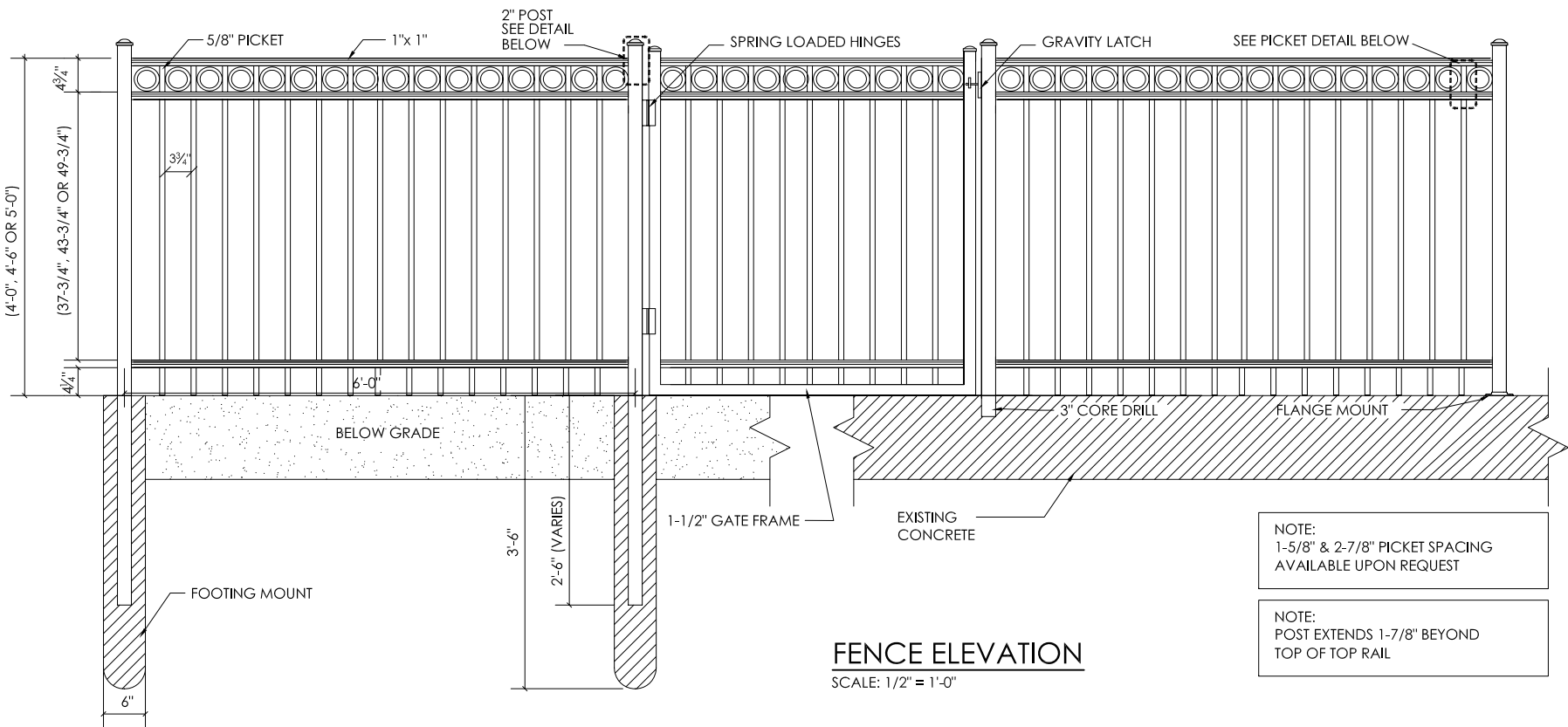


Royal Aluminum & Steel, Inc.

Manufacturers of Aluminum Fence & Rails
51401 Chesterfield Rd.
Chesterfield Twp., MI 48051
(586) 421-0057
Fax (586) 421-0081
Toll Free (800) 543-3231
www.royalfences.com

**R-20 RESIDENTIAL - 6'-0" ONLY
FENCE ELEVATION**

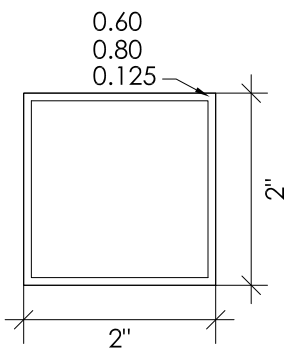
©2013 Royal Aluminum & Steel, Inc.
Befree, Royal & Castle are registered trademarks of Royal Aluminum & Steel, Inc.
Patent # 7,857,292 - Patent # 8,167,276 - Patent # USD 665,510 S and other patents pending.



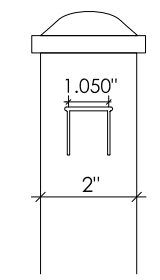
NOTE:
1-5/8" & 2-7/8" PICKET SPACING
AVAILABLE UPON REQUEST

NOTE:
POST EXTENDS 1-7/8" BEYOND
TOP OF TOP RAIL

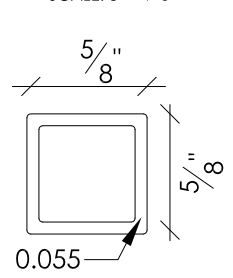
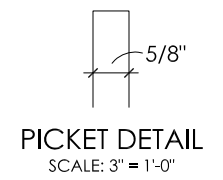
FENCE ELEVATION
SCALE: 1/2" = 1'-0"



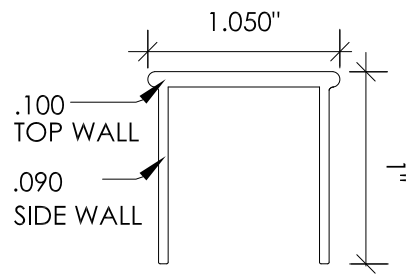
**WALL POST
TOP VIEW**
SCALE: 6" = 1'-0"



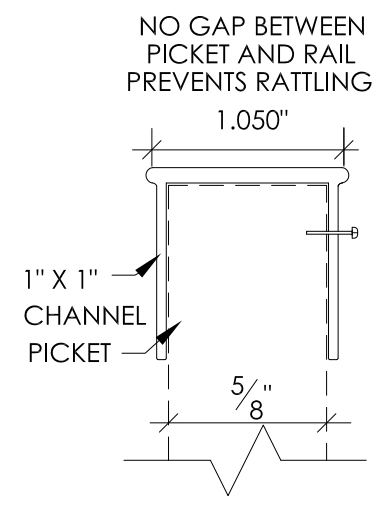
**BEFREE™
WALL POST
DETAIL**
SCALE: 3" = 1'-0"



**WALL PICKET
TOPVIEW**
SCALE: 1" = 1'-0"



RAIL DETAIL
SCALE: 1" = 1'-0"



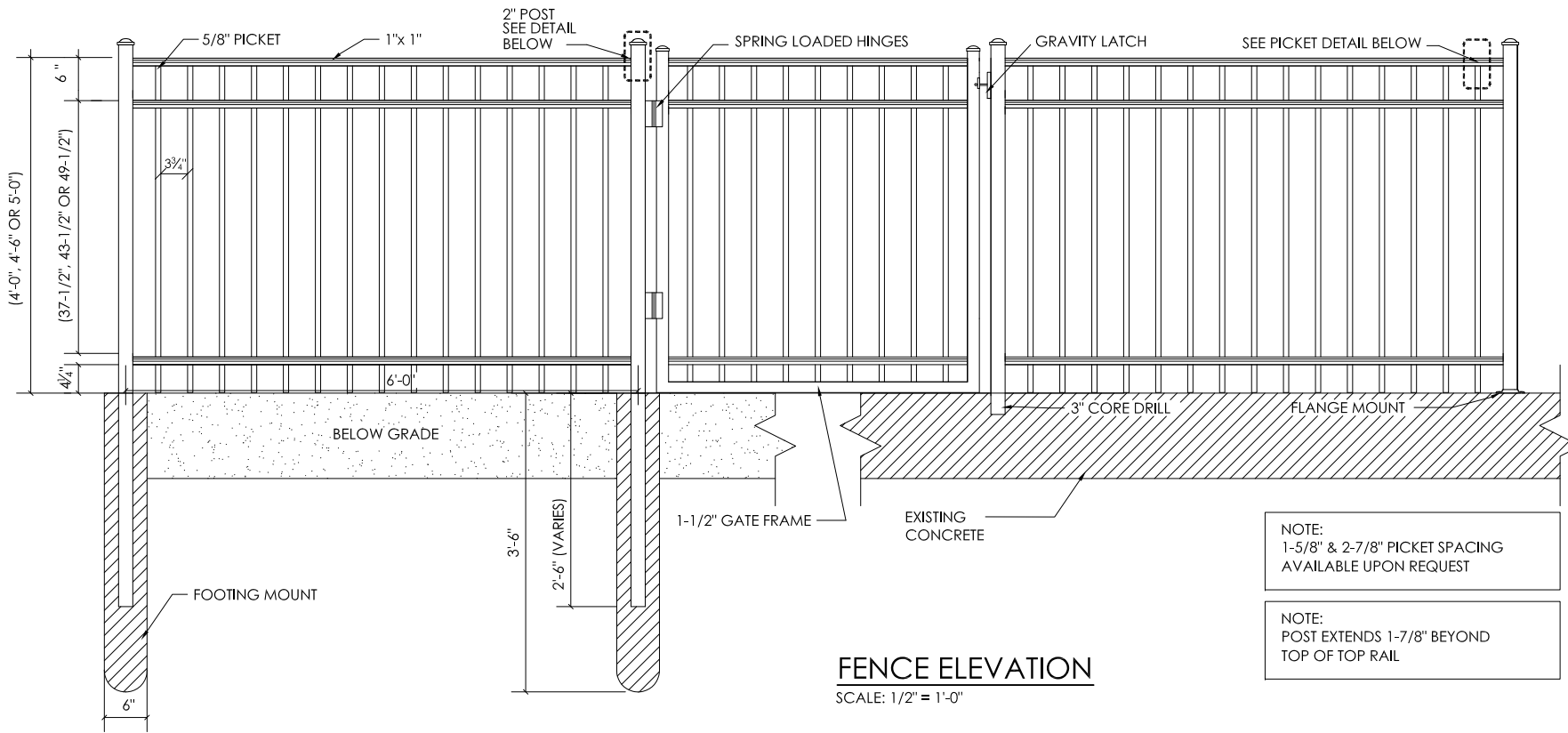
**PICKET FASTENED
TO CHANNEL DETAIL**
SCALE: 1" = 1'-0"

Royal Aluminum & Steel, Inc.
Manufacturers of Aluminum Fence & Rails
51401 Chesterfield Rd.
Chesterfield Twp., MI 48051
(586) 421-0057
Fax (586) 421-0081
Toll Free (800) 543-3231
www.royalfences.com



**R-20 RESIDENTIAL W/ CIRCLES
FENCE ELEVATION**

©2013 Royal Aluminum & Steel, Inc.
Befree, Royal & Castle are registered trademarks of Royal Aluminum & Steel, Inc.
Patent # 7,857,292 - Patent # 8,167,276 - Patent # USD 665,510 S and other patents pending.



FENCE ELEVATION
SCALE: 1/2" = 1'-0"

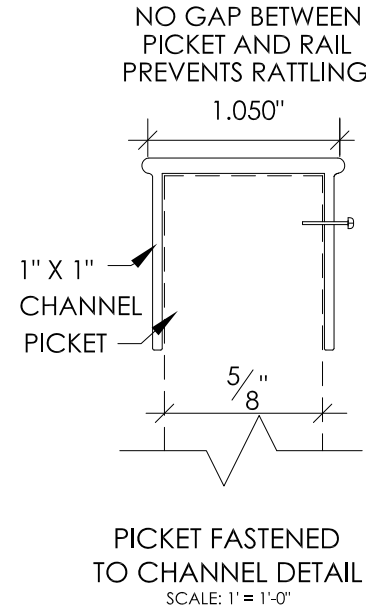
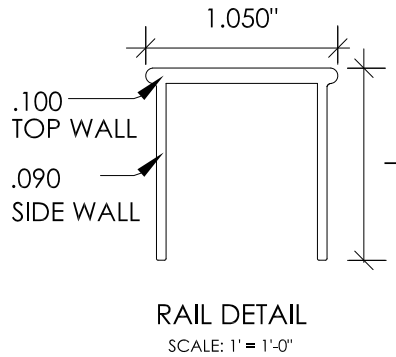
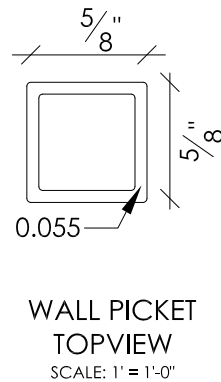
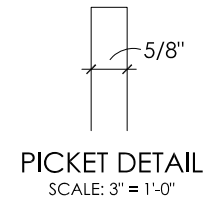
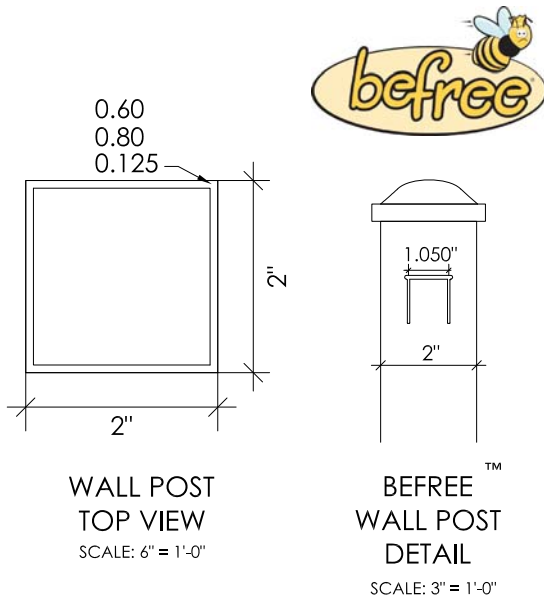
NOTE:
1-5/8" & 2-7/8" PICKET SPACING
AVAILABLE UPON REQUEST

NOTE:
POST EXTENDS 1-7/8" BEYOND
TOP OF TOP RAIL

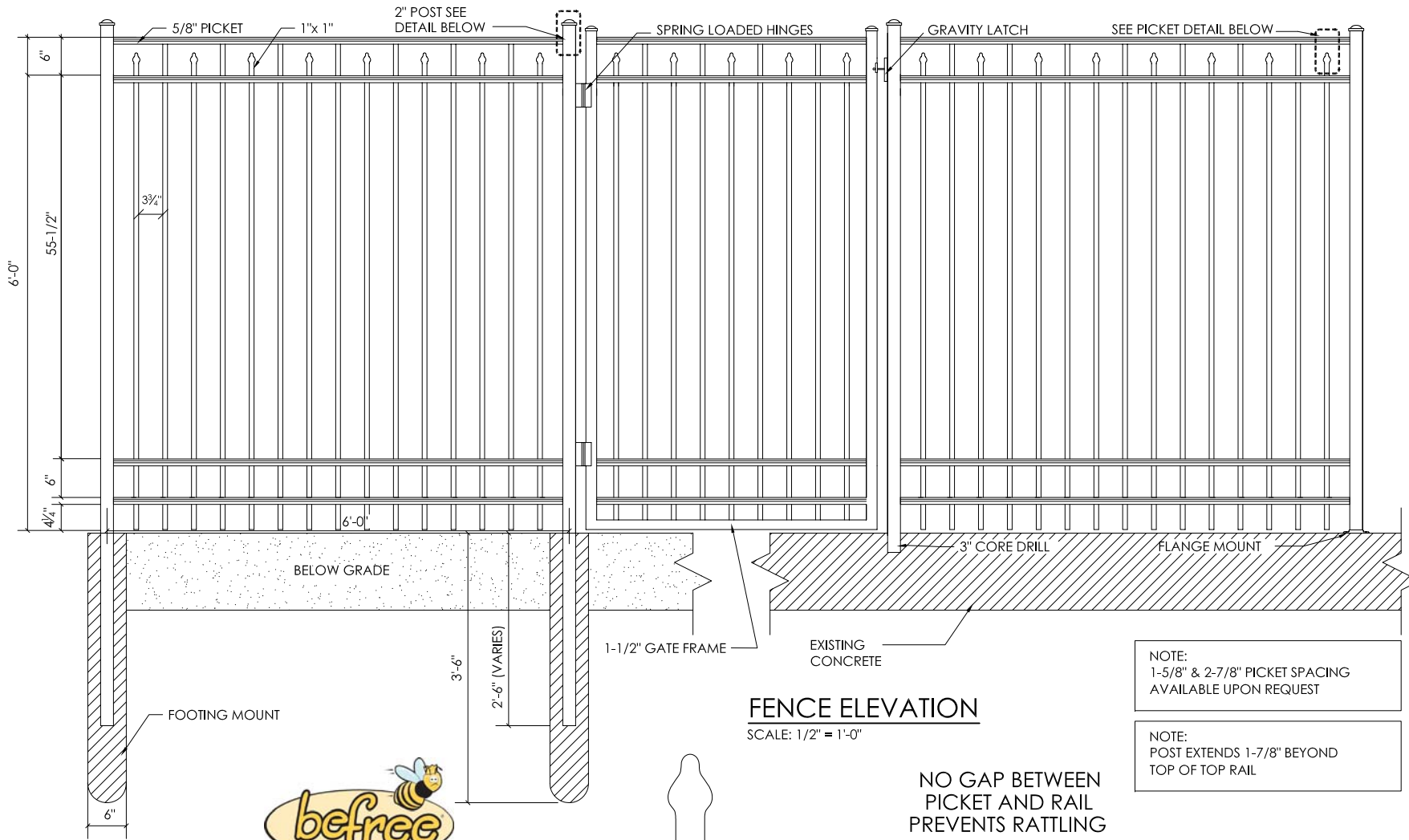


Royal Aluminum & Steel, Inc.

Manufacturers of Aluminum Fence & Rails
51401 Chesterfield Rd.
Chesterfield Twp., MI 48051
(586) 421-0057
Fax (586) 421-0081
Toll Free (800) 543-3231
www.royalfences.com



**R-20 RESIDENTIAL FENCE
ELEVATION**

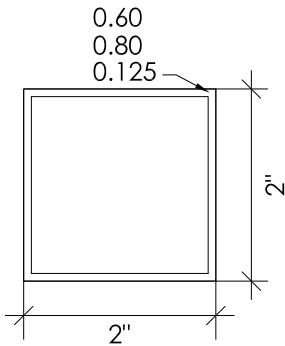


FENCE ELEVATION

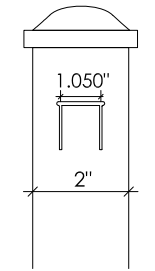
SCALE: 1/2" = 1'-0"

NOTE:
1-5/8" & 2-7/8" PICKET SPACING
AVAILABLE UPON REQUEST

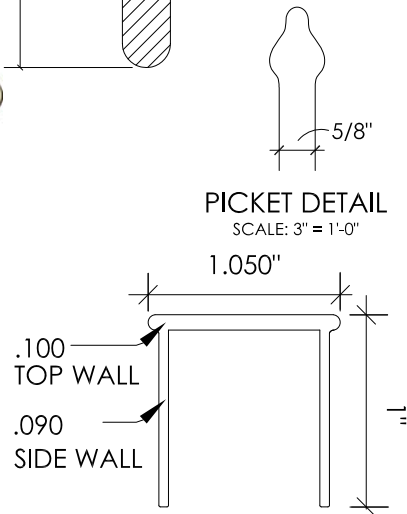
NOTE:
POST EXTENDS 1-7/8" BEYOND
TOP OF TOP RAIL



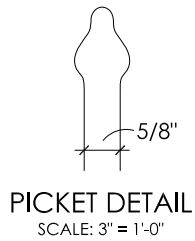
**WALL POST
TOP VIEW**
SCALE: 6" = 1'-0"



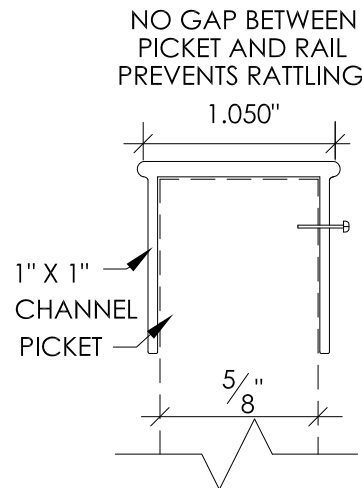
**BEFREE™
WALL POST
DETAIL**
SCALE: 3" = 1'-0"



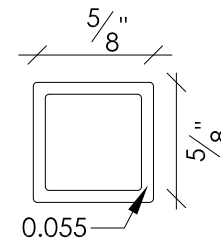
RAIL DETAIL
SCALE: 1" = 1'-0"



PICKET DETAIL
SCALE: 3" = 1'-0"



**PICKET FASTENED
TO CHANNEL DETAIL**
SCALE: 1" = 1'-0"



**WALL PICKET
TOPVIEW**
SCALE: 1" = 1'-0"

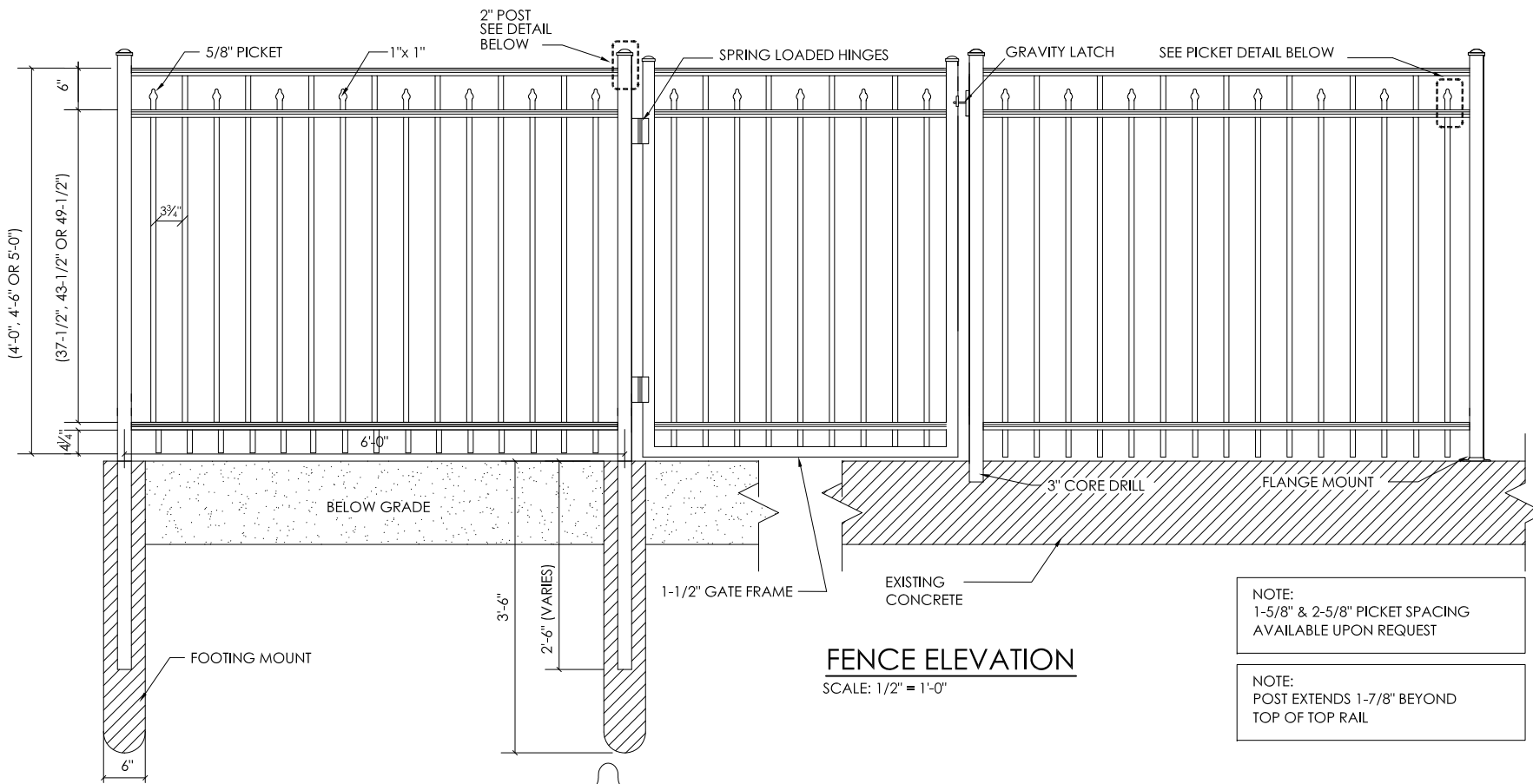
Royal Aluminum & Steel, Inc.

Manufacturers of Aluminum Fence & Rails
51401 Chesterfield Rd.
Chesterfield Twp., MI 48051
(586) 421-0057
Fax (586) 421-0081
Toll Free (800) 543-3231
www.royalfences.com



**R-25 RESIDENTIAL - 6'-0" ONLY
FENCE ELEVATION**

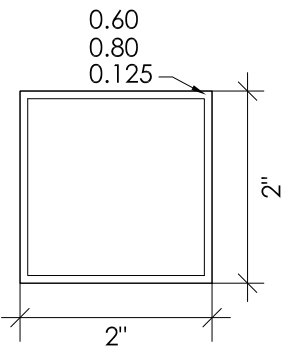
©2013 Royal Aluminum & Steel, Inc.
Befree, Royal & Castle are registered trademarks of Royal Aluminum & Steel, Inc.
Patent # 7,857,292 - Patent # 8,167,276 - Patent # USD 665,510 S and other patents pending.



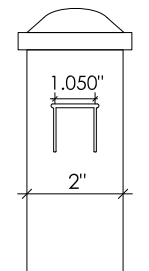
NOTE:
1-5/8" & 2-5/8" PICKET SPACING
AVAILABLE UPON REQUEST

NOTE:
POST EXTENDS 1-7/8" BEYOND
TOP OF TOP RAIL

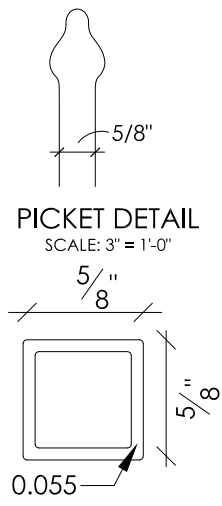
FENCE ELEVATION
SCALE: 1/2" = 1'-0"



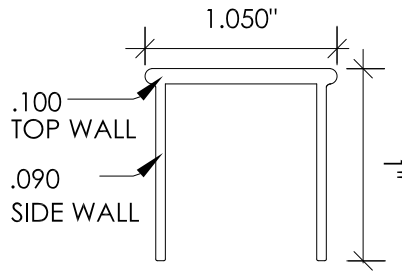
WALL POST
TOP VIEW
SCALE: 6" = 1'-0"



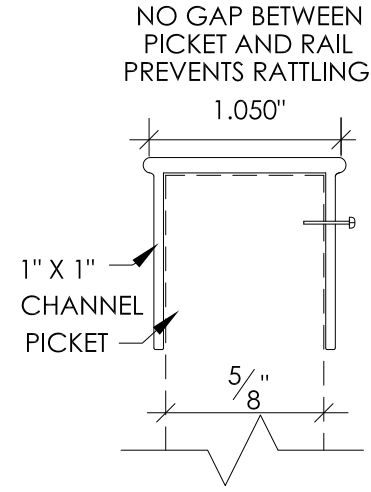
BEFREE™
WALL POST
DETAIL
SCALE: 3" = 1'-0"



WALL PICKET
TOPVIEW
SCALE: 1' = 1'-0"



RAIL DETAIL
SCALE: 1' = 1'-0"



PICKET FASTENED
TO CHANNEL DETAIL
SCALE: 1' = 1'-0"

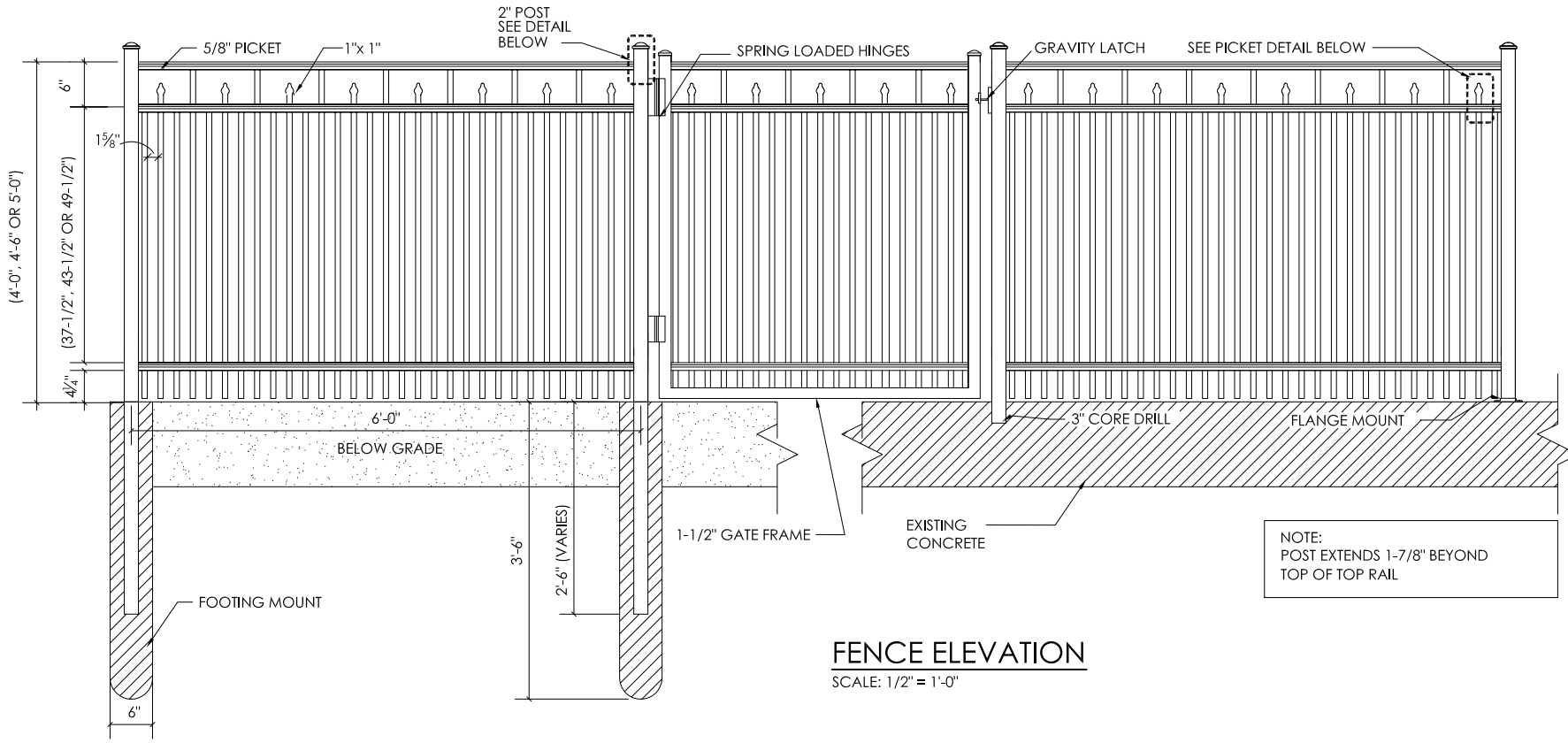


Royal Aluminum & Steel, Inc.

Manufacturers of Aluminum Fence & Rails
51401 Chesterfield Rd.
Chesterfield Twp., MI 48051
(586) 421-0057
Toll Free (800) 543-3231
www.royalfences.com

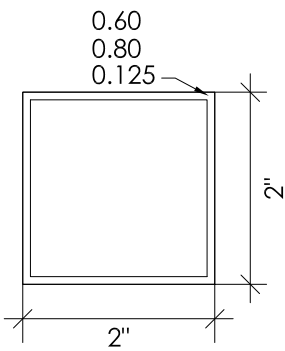
**R-25 RESIDENTIAL FENCE
ELEVATION**

©2013 Royal Aluminum & Steel, Inc.
Befree, Royal & Castle are registered trademarks of Royal Aluminum & Steel, Inc.
Patent # 7,857,292 - Patent # 8,167,276 - Patent # USD 665,510 S and other patents pending.

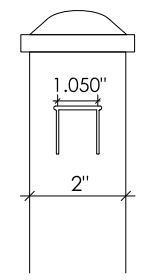


FENCE ELEVATION
SCALE: 1/2" = 1'-0"

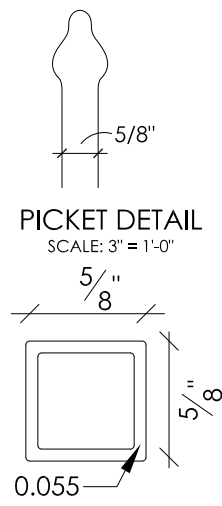
NOTE:
POST EXTENDS 1-7/8" BEYOND
TOP OF TOP RAIL



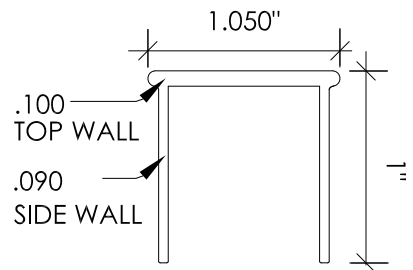
**WALL POST
TOP VIEW**
SCALE: 6" = 1'-0"



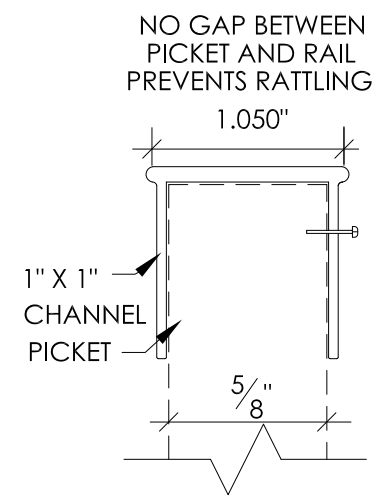
**BEFREE™
WALL POST
DETAIL**
SCALE: 3" = 1'-0"



**WALL PICKET
TOPVIEW**
SCALE: 1' = 1'-0"



RAIL DETAIL
SCALE: 1' = 1'-0"



**PICKET FASTENED
TO CHANNEL DETAIL**
SCALE: 1' = 1'-0"

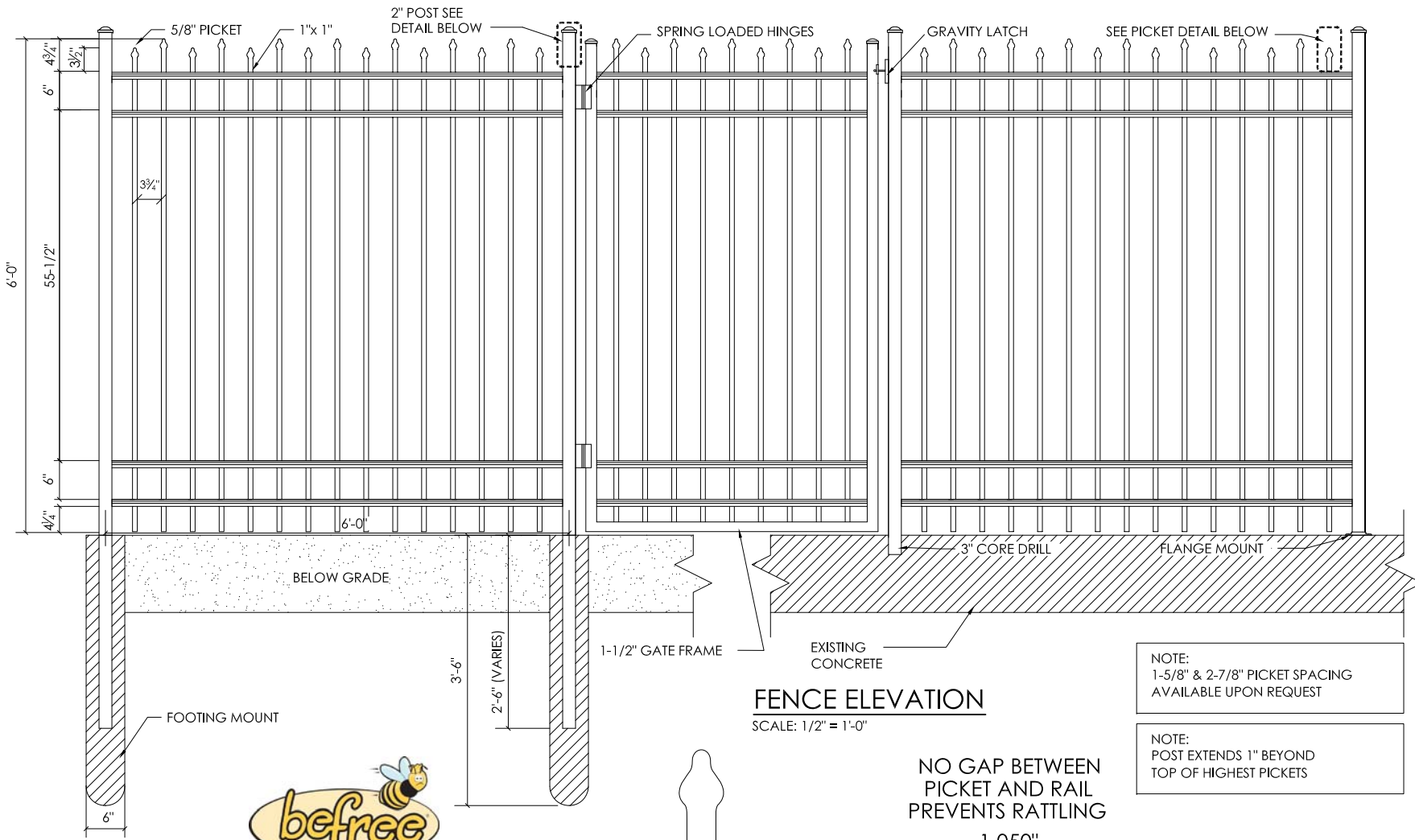


Royal Aluminum & Steel, Inc.

Manufacturers of Aluminum Fence & Rails
51401 Chesterfield Rd.
Chesterfield Twp., MI 48051
(586) 421-0057
Fax (586) 421-0081
Toll Free (800) 543-3231
www.royalfences.com

**R-25 W/ 1-5/8" SPACING
RESIDENTIAL FENCE ELEVATION**

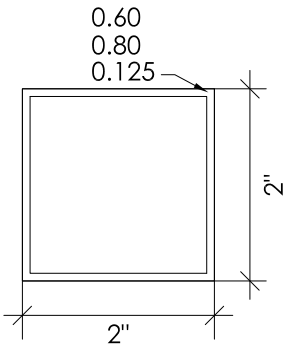
©2013 Royal Aluminum & Steel, Inc.
Befree, Royal & Castle are registered trademarks of Royal Aluminum & Steel, Inc.
Patent # 7,857,292 - Patent # 8,167,276 - Patent # USD 665,510 S and other patents pending.



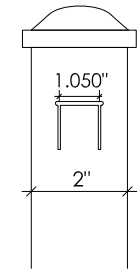
FENCE ELEVATION
SCALE: 1/2" = 1'-0"

NOTE:
1-5/8" & 2-7/8" PICKET SPACING
AVAILABLE UPON REQUEST

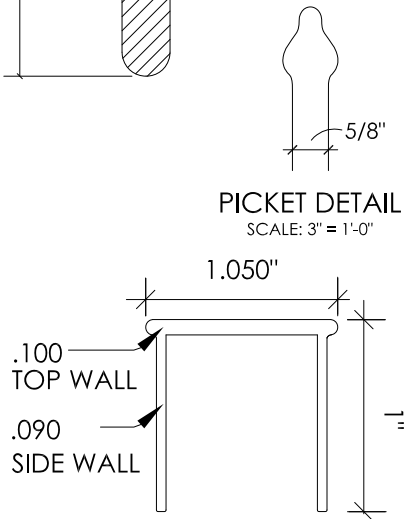
NOTE:
POST EXTENDS 1" BEYOND
TOP OF HIGHEST PICKETS



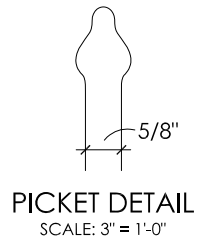
**WALL POST
TOP VIEW**
SCALE: 6" = 1'-0"



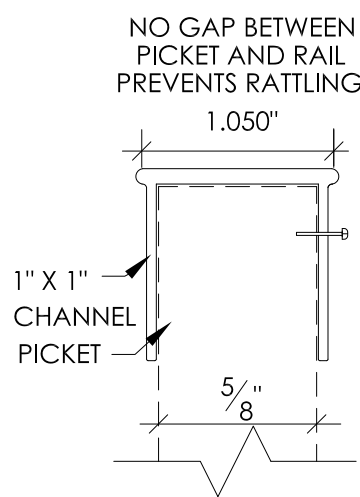
**BEFREE™
WALL POST
DETAIL**
SCALE: 3" = 1'-0"



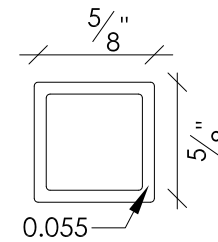
RAIL DETAIL
SCALE: 1" = 1'-0"



PICKET DETAIL
SCALE: 3" = 1'-0"



**PICKET FASTENED
TO CHANNEL DETAIL**
SCALE: 1" = 1'-0"



**WALL PICKET
TOPVIEW**
SCALE: 1" = 1'-0"

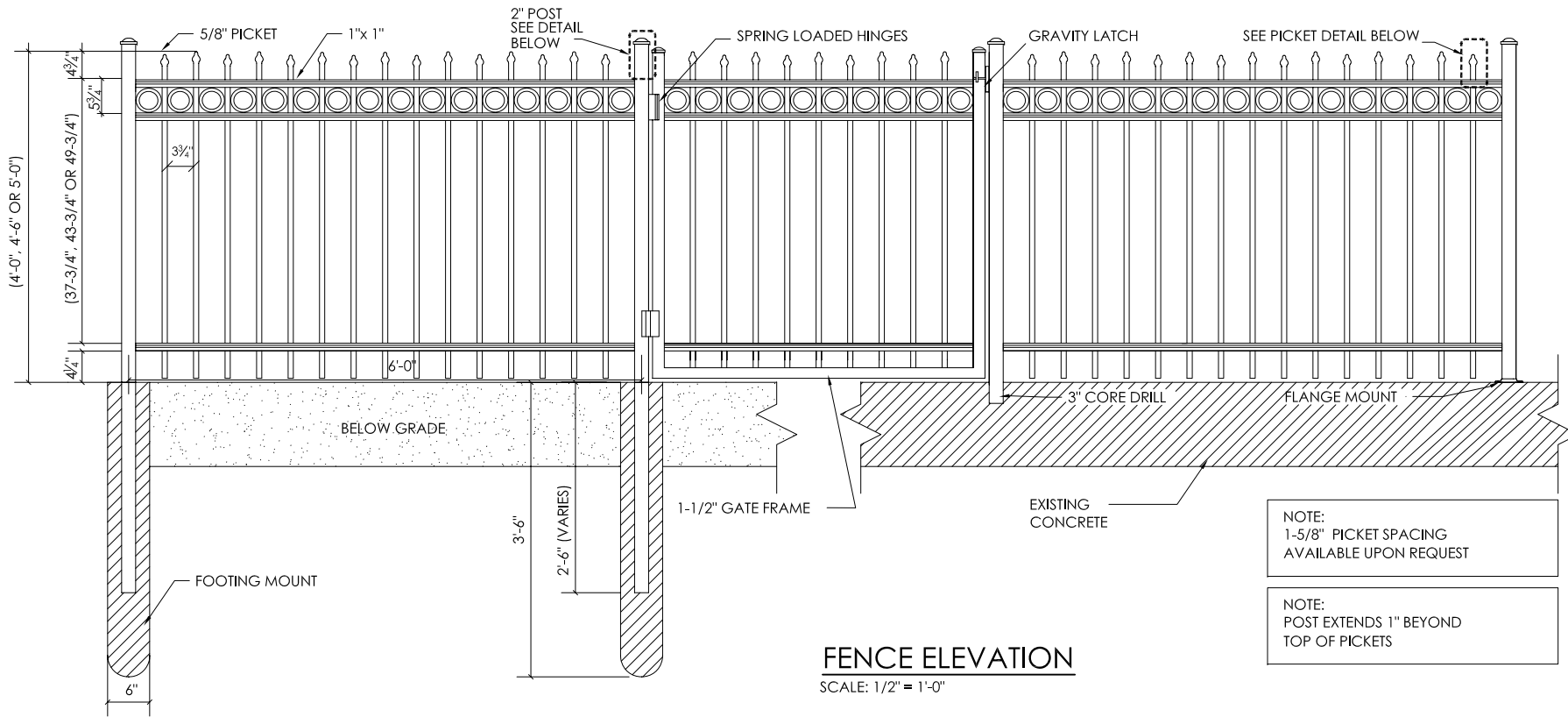


Royal Aluminum & Steel, Inc.

Manufacturers of Aluminum Fence & Rails
51401 Chesterfield Rd.
Chesterfield Twp., MI 48051
(586) 421-0057
Fax (586) 421-0081
Toll Free (800) 543-3231
www.royalfences.com

**R-30 RESIDENTIAL - 6'-0" ONLY
FENCE ELEVATION**

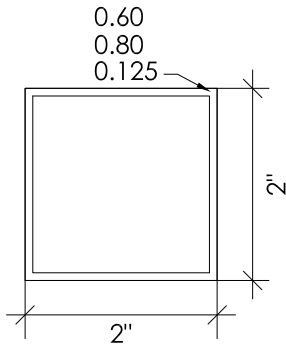
©2013 Royal Aluminum & Steel, Inc.
Befree, Royal & Castle are registered trademarks of Royal Aluminum & Steel, Inc.
Patent # 7,857,292 - Patent # 8,167,276 - Patent # USD 665,510 S and other patents pending.



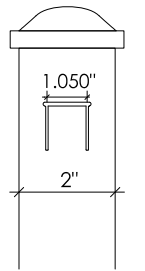
FENCE ELEVATION
SCALE: 1/2" = 1'-0"

NOTE:
1-5/8" PICKET SPACING
AVAILABLE UPON REQUEST

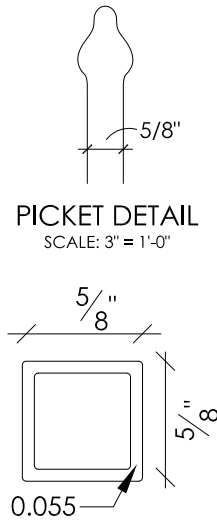
NOTE:
POST EXTENDS 1" BEYOND
TOP OF PICKETS



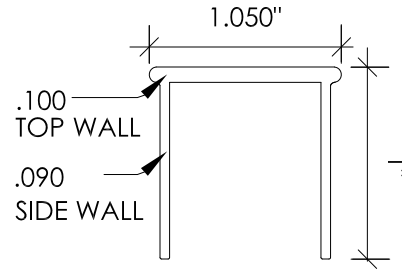
**WALL POST
TOP VIEW**
SCALE: 6" = 1'-0"



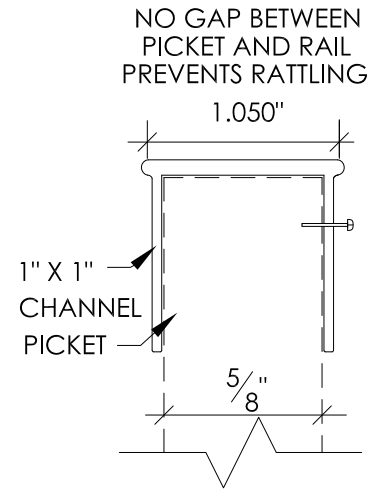
**BEFREE™
WALL POST
DETAIL**
SCALE: 3" = 1'-0"



**WALL PICKET
TOPVIEW**
SCALE: 1" = 1'-0"



RAIL DETAIL
SCALE: 1" = 1'-0"



**PICKET FASTENED
TO CHANNEL DETAIL**
SCALE: 1" = 1'-0"

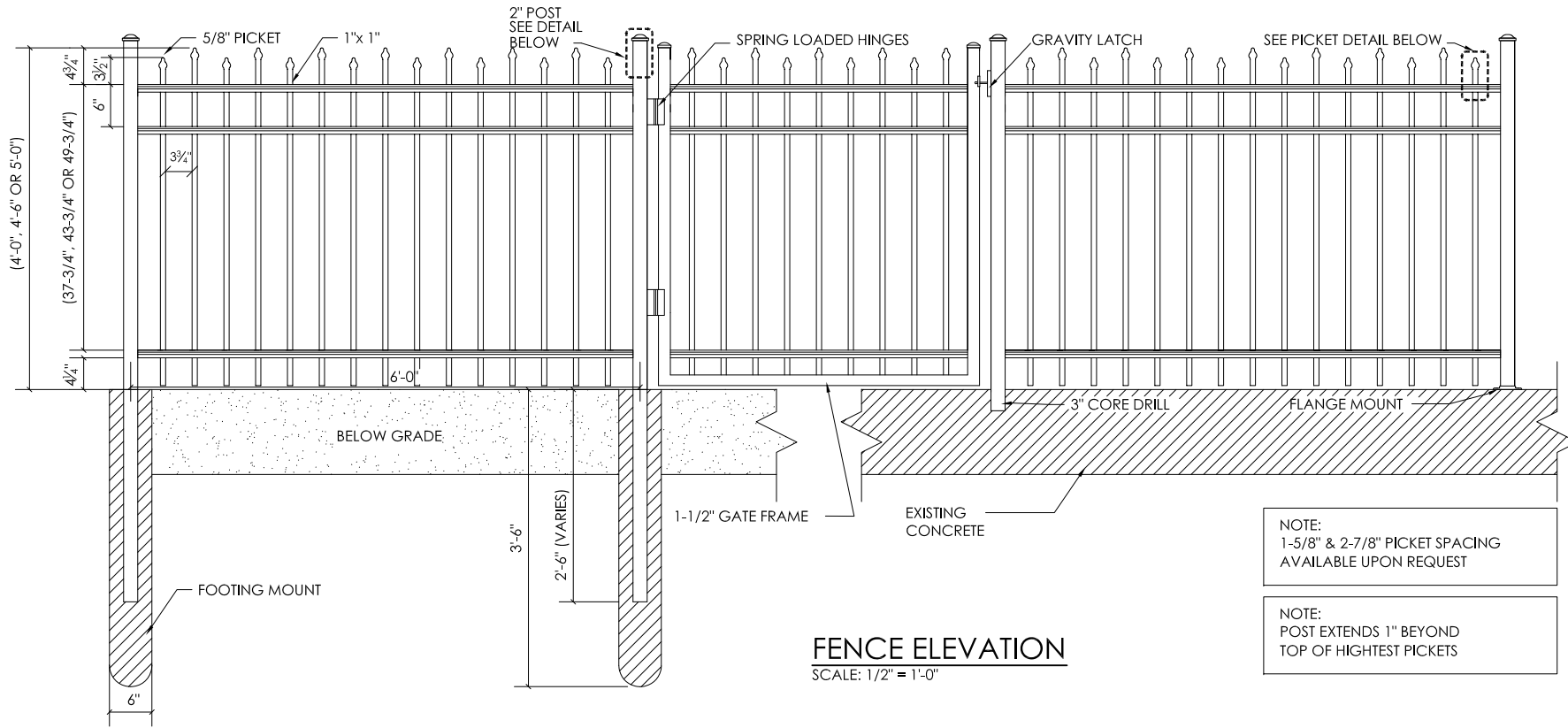


Royal Aluminum & Steel, Inc.

Manufacturers of Aluminum Fence & Rails
51401 Chesterfield Rd.
Chesterfield Twp., MI 48051
(586) 421-0057
Toll Free (800) 543-3231
www.royalfences.com

**R-30 RESIDENTIAL W/ GIRLCELS
FENCE ELEVATION**

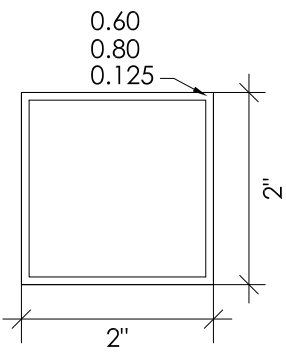
©2013 Royal Aluminum & Steel, Inc.
Befree, Royal & Casfle are registered trademarks of Royal Aluminum & Steel, Inc.
Patent # 7,857,292 - Patent # 8,167,276 - Patent # USD 665,510 S and other patents pending.



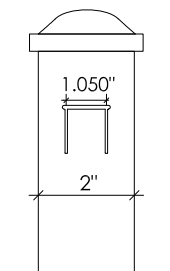
NOTE:
1-5/8" & 2-7/8" PICKET SPACING
AVAILABLE UPON REQUEST

NOTE:
POST EXTENDS 1" BEYOND
TOP OF HIGHEST PICKETS

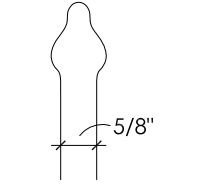
FENCE ELEVATION
SCALE: 1/2" = 1'-0"



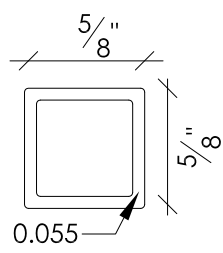
**WALL POST
TOP VIEW**
SCALE: 6" = 1'-0"



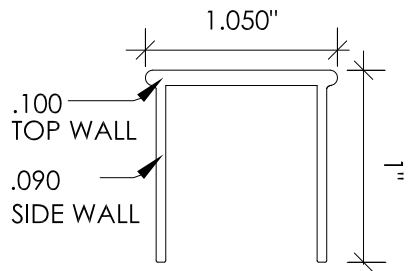
**BEFREE™
WALL POST
DETAIL**
SCALE: 3" = 1'-0"



PICKET DETAIL
SCALE: 3" = 1'-0"

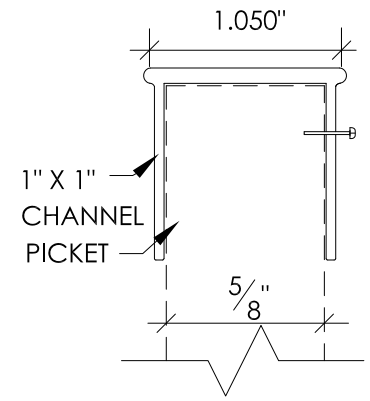


**WALL PICKET
TOPVIEW**
SCALE: 1" = 1'-0"



RAIL DETAIL
SCALE: 1" = 1'-0"

NO GAP BETWEEN
PICKET AND RAIL
PREVENTS RATTLING



**PICKET FASTENED
TO CHANNEL DETAIL**
SCALE: 1" = 1'-0"

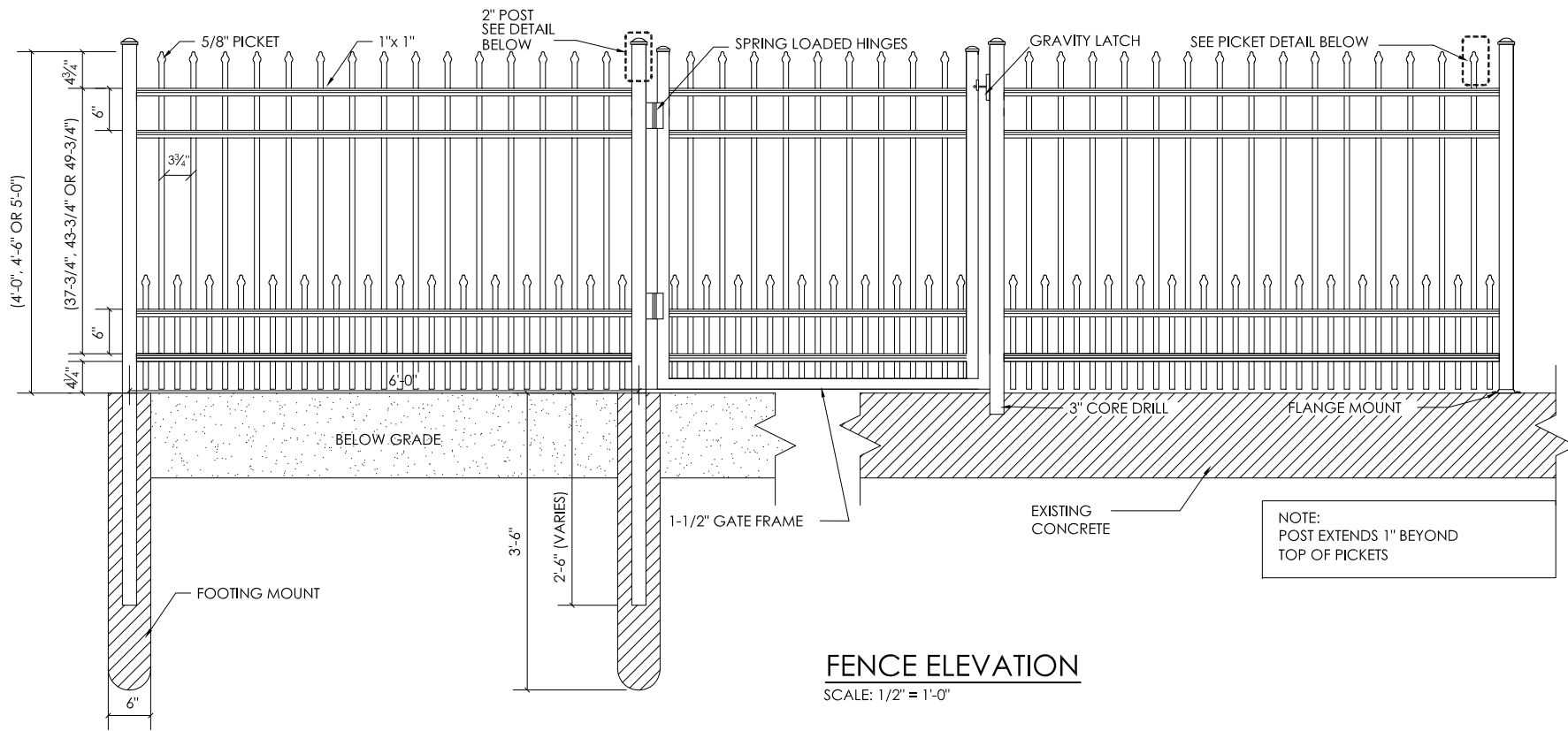


Royal Aluminum & Steel, Inc.

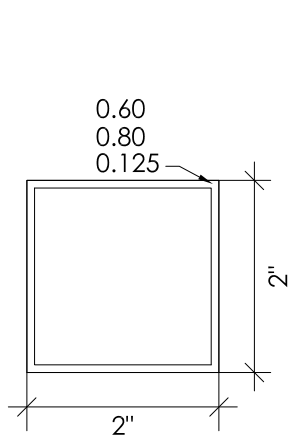
Manufacturers of Aluminum Fence & Rails
51401 Chesterfield Rd.
Chesterfield Twp., MI 48051
(586) 421-0057
Fax (586) 421-0081
Toll Free (800) 543-3231
www.royalfences.com

**R-30 RESIDENTIAL FENCE
ELEVATION**

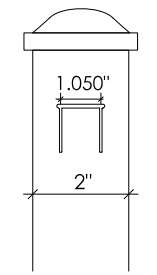
©2013 Royal Aluminum & Steel, Inc.
Befree, Royal & Castle are registered trademarks of Royal Aluminum & Steel, Inc.
Patent # 7,857,292 - Patent # 8,167,276 - Patent # USD 665,510 S and other patents pending.



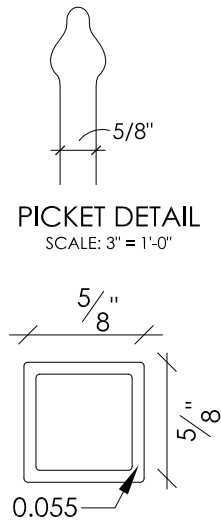
FENCE ELEVATION
SCALE: 1/2" = 1'-0"



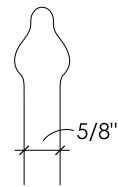
WALL POST TOP VIEW
SCALE: 6" = 1'-0"



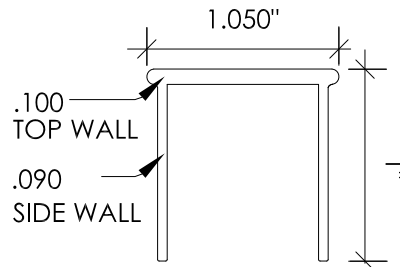
BEFREE™ WALL POST DETAIL
SCALE: 3" = 1'-0"



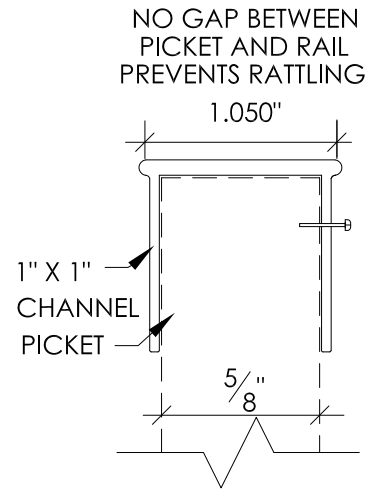
WALL PICKET TOPVIEW
SCALE: 1" = 1'-0"



PICKET DETAIL
SCALE: 3" = 1'-0"



RAIL DETAIL
SCALE: 1" = 1'-0"



PICKET FASTENED TO CHANNEL DETAIL
SCALE: 1" = 1'-0"

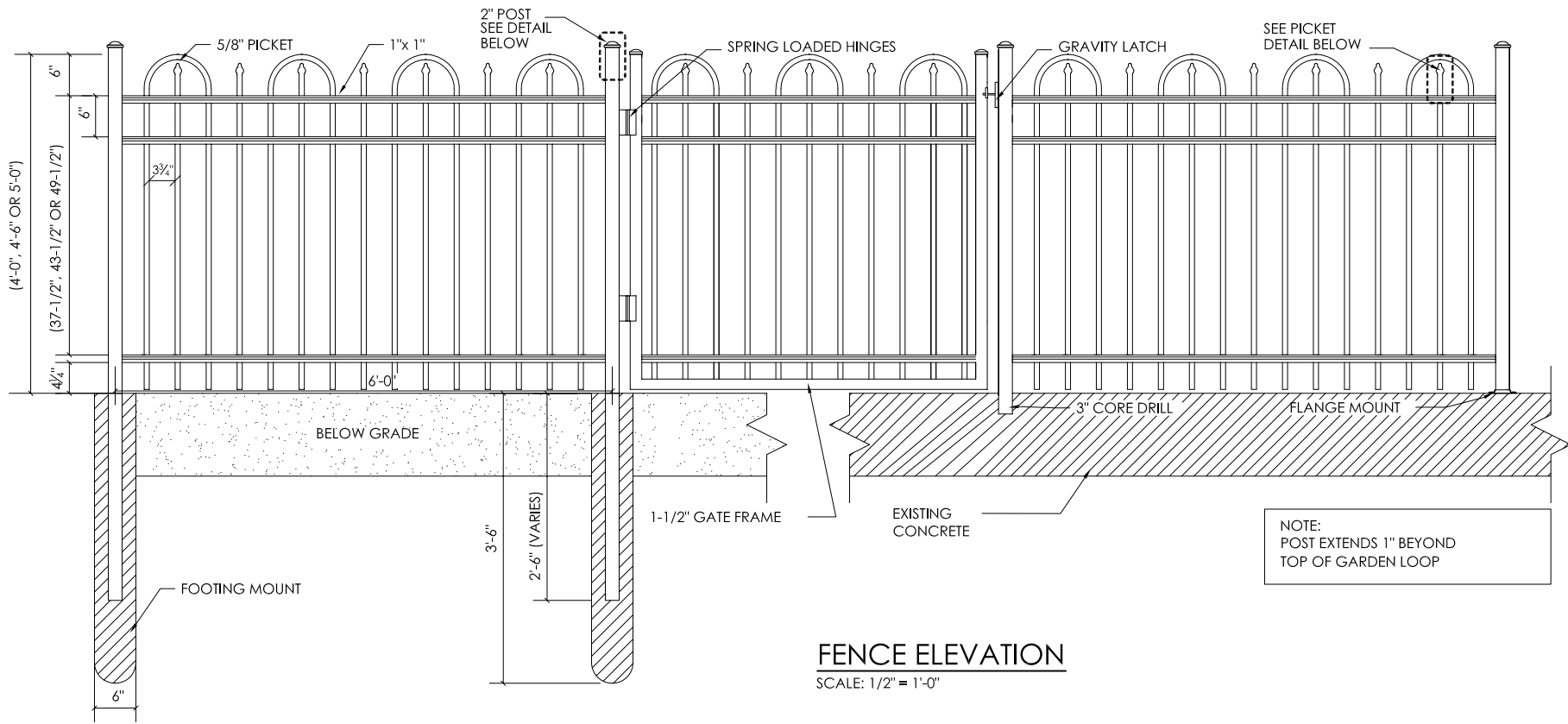


Royal Aluminum & Steel, Inc.

Manufacturers of Aluminum Fence & Rails
51401 Chesterfield Rd.
Chesterfield Twp., MI 48051
(586) 421-0057
Fax (586) 421-0081
Toll Free (800) 543-3231
www.royalfences.com

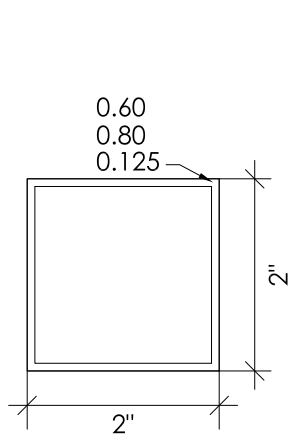
R-35 RESIDENTIAL FENCE ELEVATION

©2013 Royal Aluminum & Steel, Inc.
Befree, Royal & Castle are registered trademarks of Royal Aluminum & Steel, Inc.
Patent # 7,857,292 - Patent # 8,167,276 - Patent # USD 665,510 S and other patents pending.

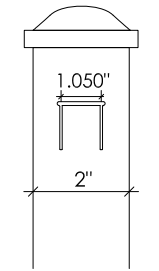


FENCE ELEVATION
SCALE: 1/2" = 1'-0"

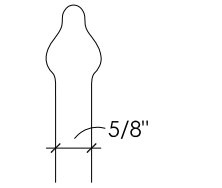
NOTE:
POST EXTENDS 1" BEYOND
TOP OF GARDEN LOOP



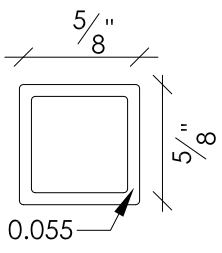
**WALL POST
TOP VIEW**
SCALE: 6" = 1'-0"



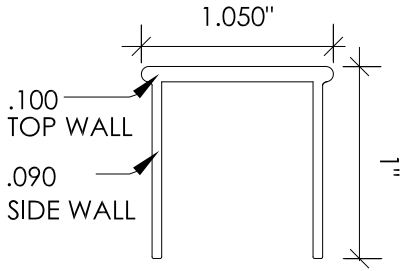
**BEFREE™
WALL POST
DETAIL**
SCALE: 3" = 1'-0"



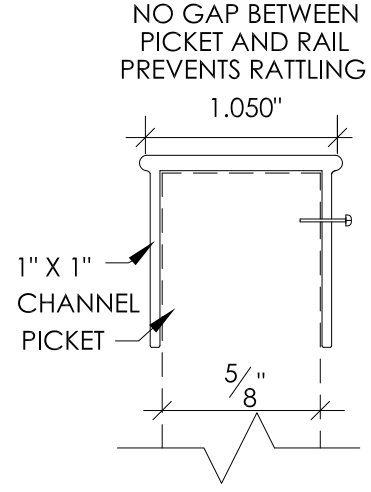
PICKET DETAIL
SCALE: 3" = 1'-0"



**WALL PICKET
TOPVIEW**
SCALE: 1' = 1'-0"



RAIL DETAIL
SCALE: 1' = 1'-0"



**PICKET FASTENED
TO CHANNEL DETAIL**
SCALE: 1' = 1'-0"

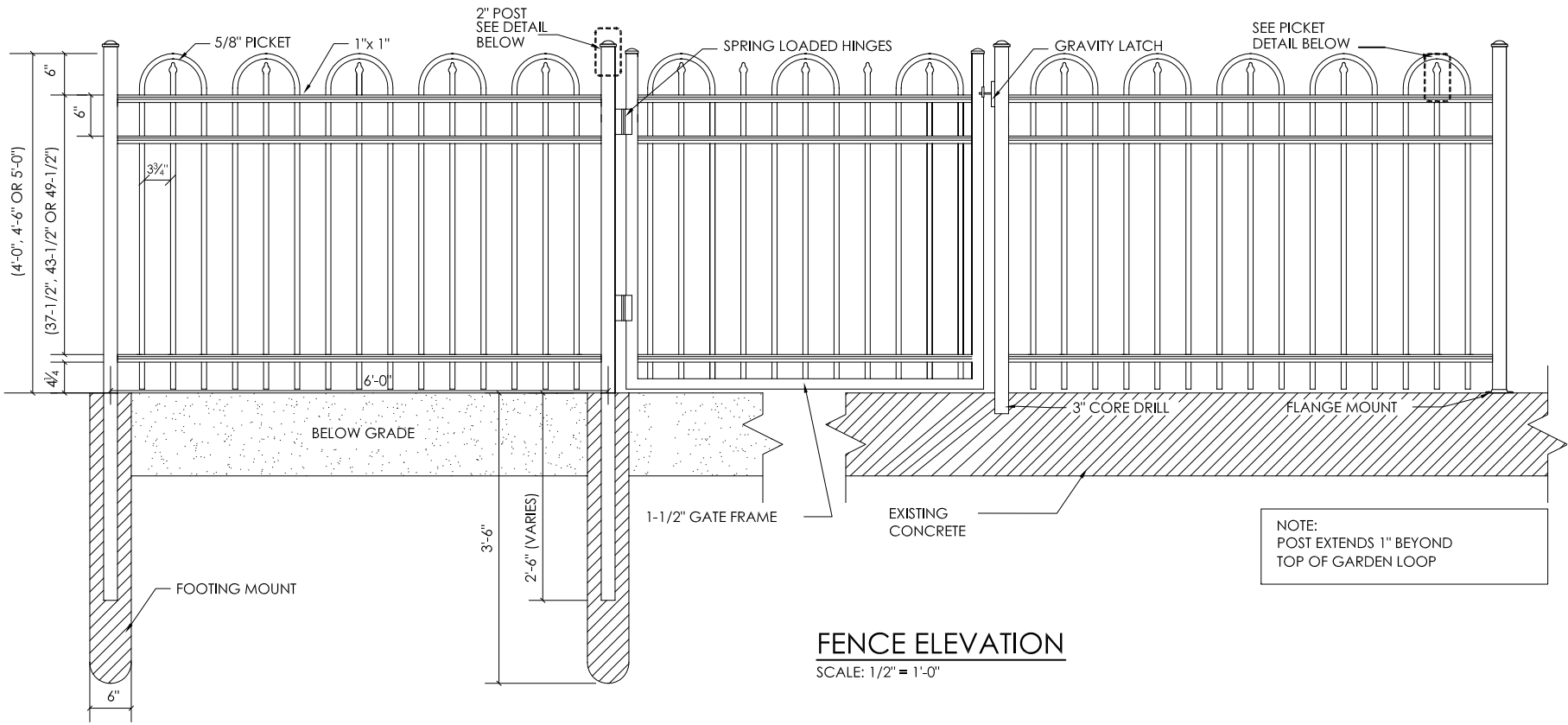


Royal Aluminum & Steel, Inc.

Manufacturers of Aluminum Fence & Rails
51401 Chesterfield Rd.
Chesterfield Twp., MI 48051
(586) 421-0057
Toll Free (800) 543-3231
www.royalfences.com

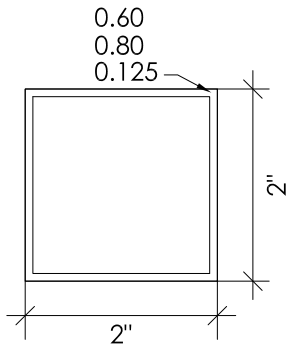
**ROYAL GARDEN 4-LOOP™
RESIDENTIAL FENCE ELEVATION**

©2013 Royal Aluminum & Steel, Inc.
Befree, Royal & Castle are registered trademarks of Royal Aluminum & Steel, Inc.
Patent # 7,857,292 - Patent # 8,167,276 - Patent # USD 665,510 S and other patents pending.

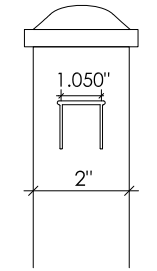


FENCE ELEVATION
SCALE: 1/2" = 1'-0"

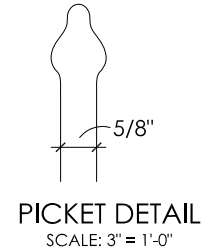
NOTE:
POST EXTENDS 1" BEYOND
TOP OF GARDEN LOOP



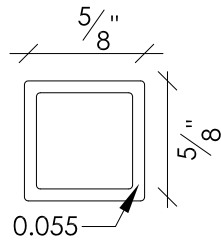
**WALL POST
TOP VIEW**
SCALE: 6" = 1'-0"



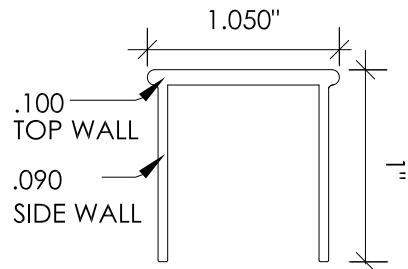
**BEFREE™
WALL POST
DETAIL**
SCALE: 3" = 1'-0"



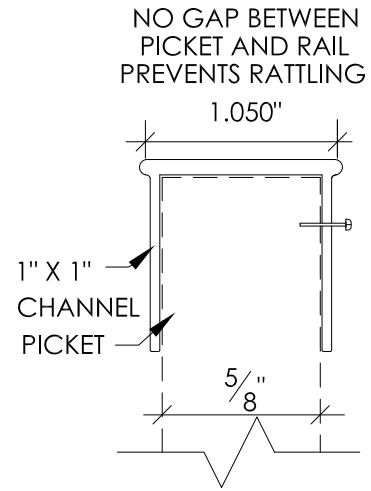
PICKET DETAIL
SCALE: 3" = 1'-0"



**WALL PICKET
TOPVIEW**
SCALE: 1' = 1'-0"



RAIL DETAIL
SCALE: 1' = 1'-0"



**PICKET FASTENED
TO CHANNEL DETAIL**
SCALE: 1' = 1'-0"



Royal Aluminum & Steel, Inc.

Manufacturers of Aluminum Fence & Rails

51401 Chesterfield Rd.
Chesterfield Twp., MI 48051

(586) 421-0057
Fax (586) 421-0081

Toll Free (800) 543-3231
www.royalfences.com

**ROYAL GARDEN 5- LOOP™
RESIDENTIAL FENCE ELEVATION**

©2013 Royal Aluminum & Steel, Inc.
Befree, Royal & Castle are registered trademarks of Royal Aluminum & Steel, Inc.
Patent # 7,857,292 - Patent # 8,167,276 - Patent # USD 665,510 S and other patents pending.